



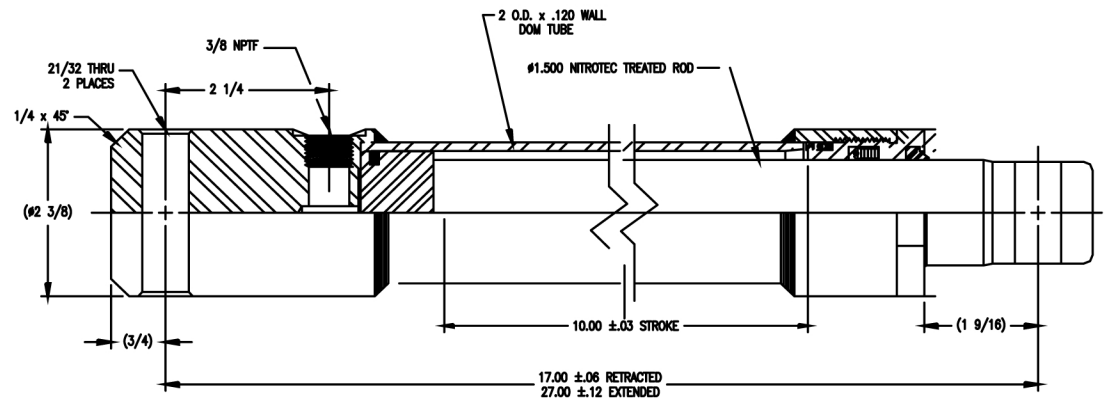
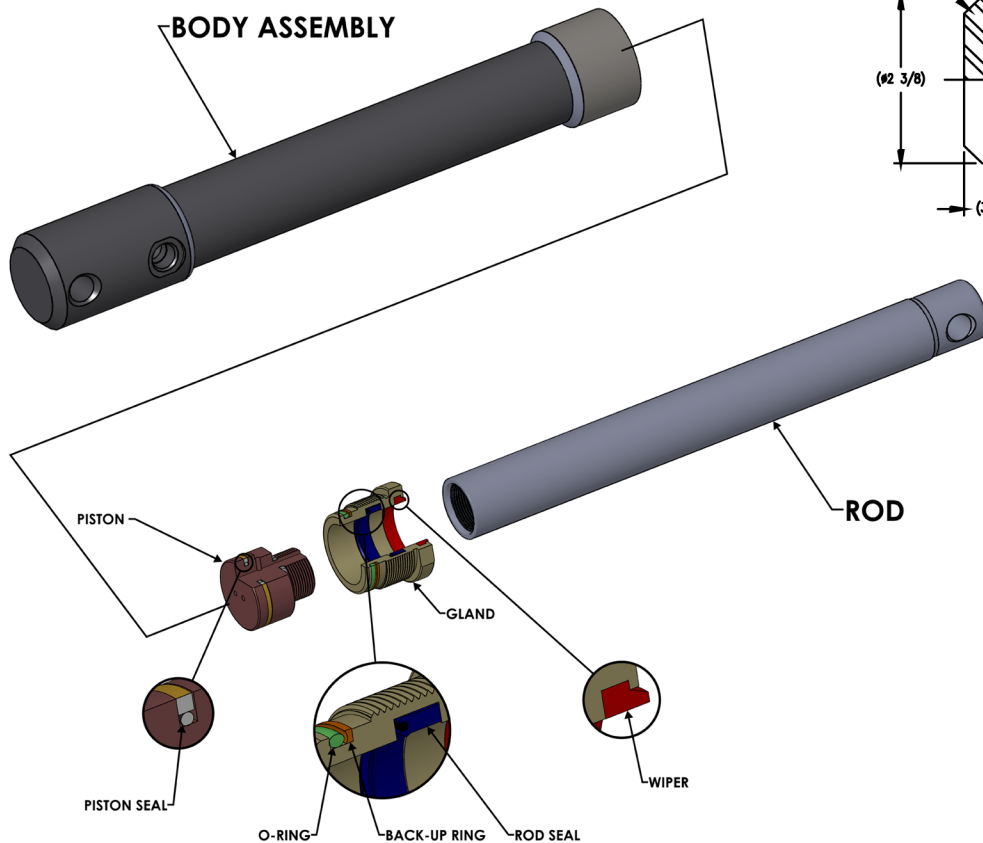
SNOWFLOW

HYD07130

Smart Lock Angle Cylinder 2005 & Older V-Blades

(Direct replacement for the HYD07034)

- Push (or Ram) type cylinder (work is performed as the rod extends from the cylinder)
- Doublbe Lip Polyurethane seal
- 10" stroke, 17" retracted length, 1.50" Nitrotec plated rod
- Screw on Piston - Lock tight has been applied to piston
- Valves relieve at 3500 psi when back dragging
- Packing nut maximum torque 30 ft-lbs
- Maximum operating pressure 3000 psi
- Can not stop leak by tightening gland nut
- Exploded cylinders should generally not be under warranty



Service Parts:
Seal Kit - HYD09734
Gland Nut - HYD09737