

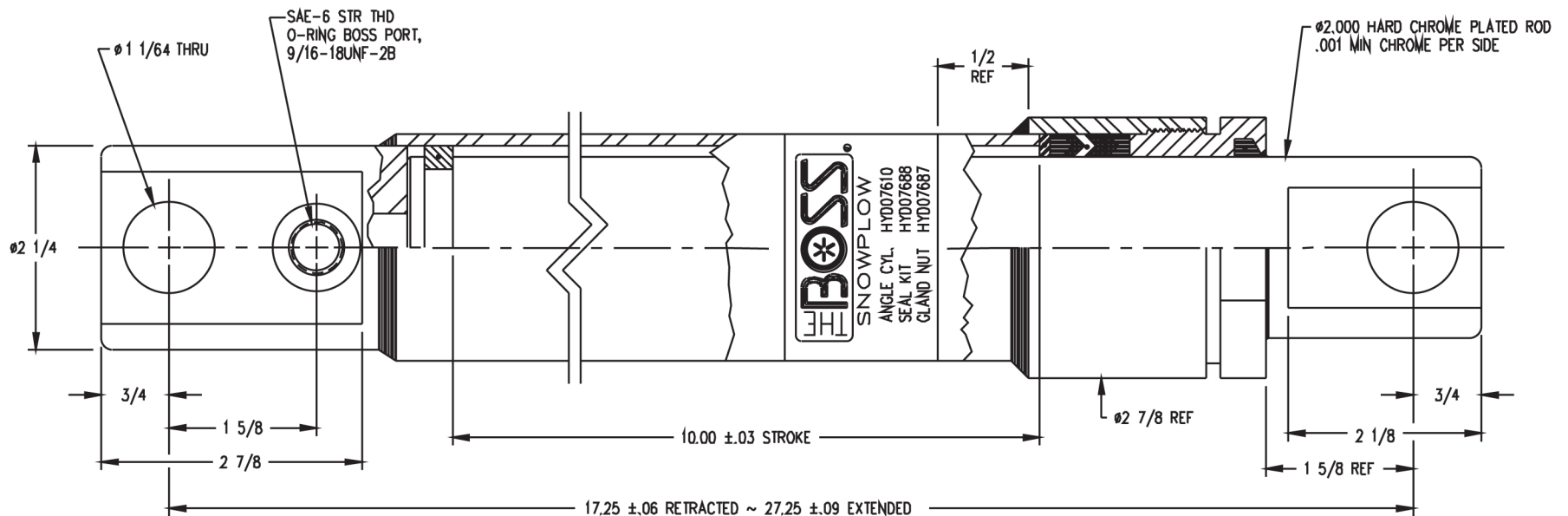
THE BOSS**SNOWPLOW**

HYD07610

Angle Cylinder, 10' Plows

V-Blades with Serial Numbers 56336 and Below Straight Blades with Serial Numbers B4500 and Below

- Push (or Ram) type cylinder (work is performed as the rod extends from the cylinder)
- Vee type packing duck and rubber seal (4 seals, 2 adapters)
- 10" stroke, 2" chrome plated (0.001" min) rod
- Powder metal guide rings
- Packing nut maximum torque 30 ft-lbs
- Maximum operating pressure 2500 psi
- Can stop leak by tightening gland nut
- Exploded cylinders should generally not be under warranty.



Service Parts:
Seal Kit - HYD07688
Gland Nut - HYD07687