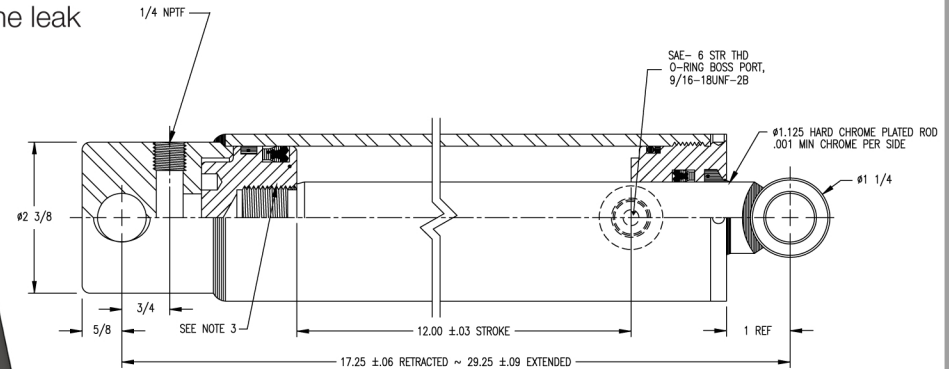
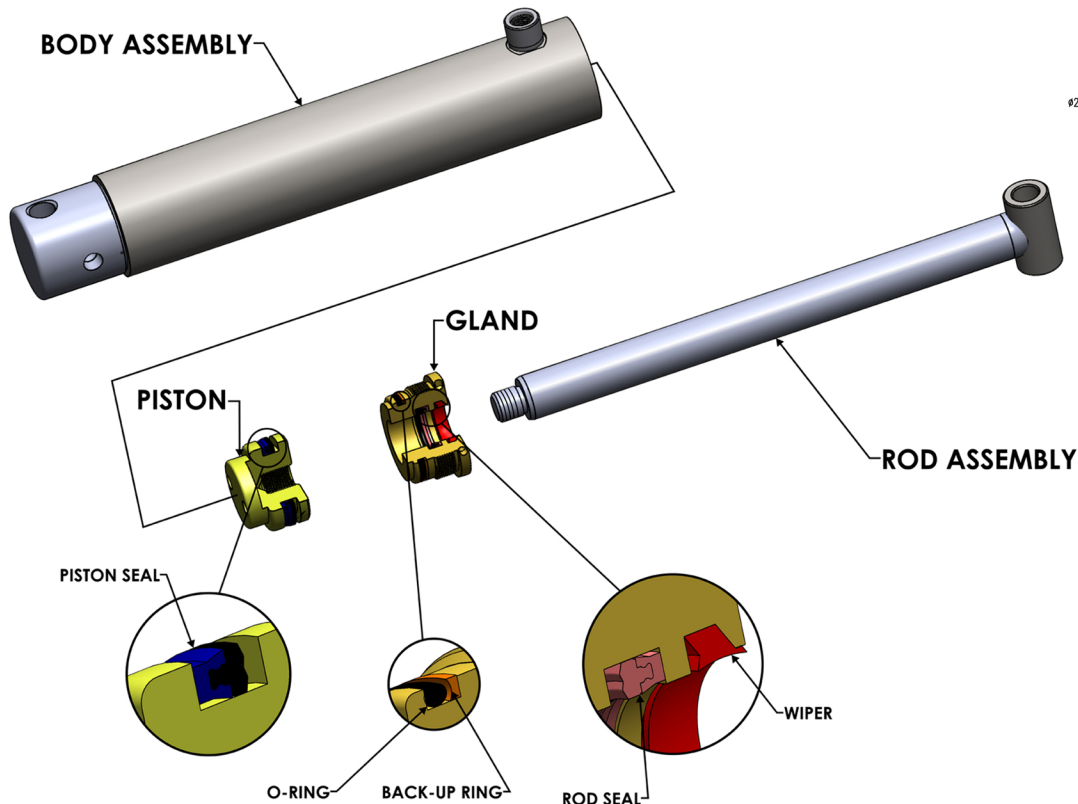


# HYD07649

## Lift Cylinder, All 10' Plows

- 12" Stroke
- 2-7/16" ID x 3/16 wall honed tube
- Pull type cylinder (work is performed as cylinder retracts the rod into the tube)
- Normal resting position - cylinders extended
- Double lip seals - polyurethane and Buna-N type to cover all temperature ranges
- Should be stored in the retracted position during off season
- Maximum operating pressure 2500 psi
- Requires a spanner wrench to remove rod gland nut to change seals
- If piston is removed from the rod apply Lock-Tight to the rod threads when assembling
- If cylinder is leaking must replace packing; tightening gland nut will not stop the leak



**Service Parts:**  
**Seal Kit - HYD07686**  
**Gland Nut - HYD07685**  
**Breather - HYD07016**