



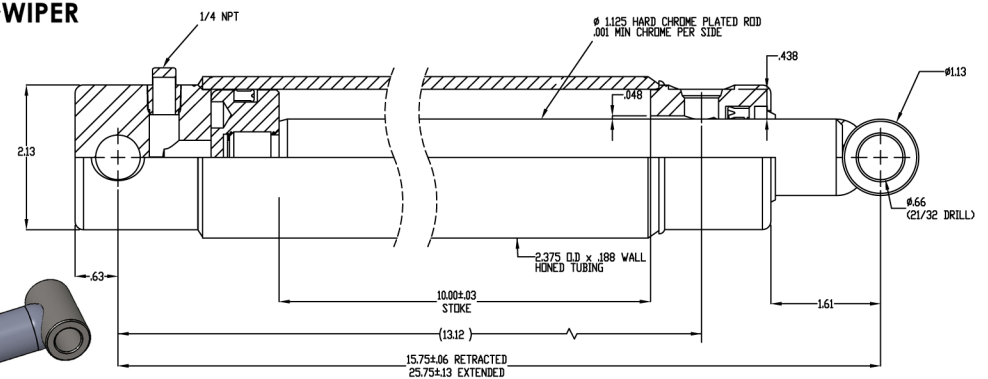
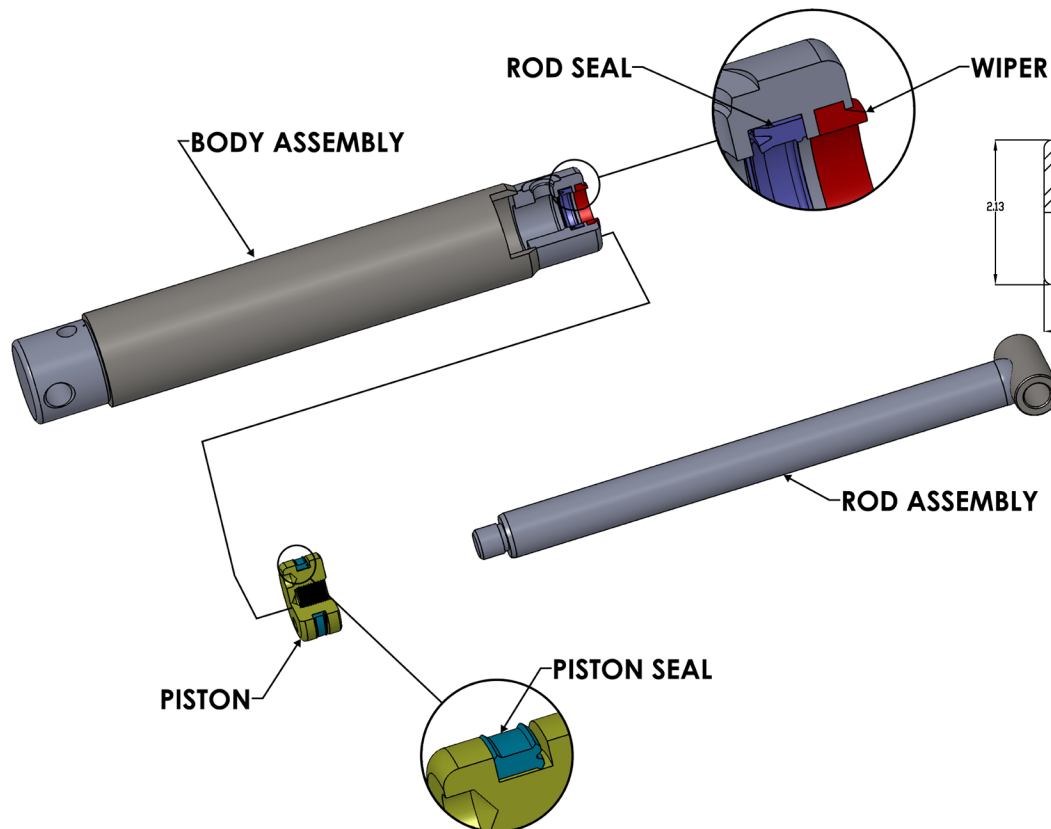
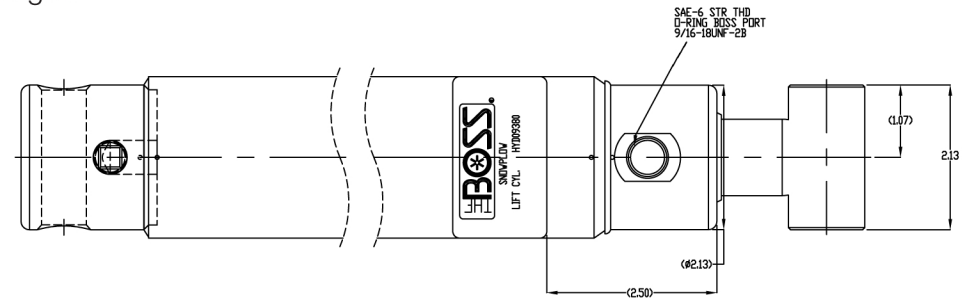
SNOWFLOW

# HYD09380

## Lift Cylinder, RT3 Straight and V-Blades

(Direct replacement for the HYD07013)

- 10" Stroke, 1.125" rod
- 2" ID x 3/16 wall honed tube - same hydraulic area as 2 RtlI cylinders
- Pull type cylinder (work is performed as cylinder retracts the rod into the tube)
- Normal resting position - cylinders extended
- Double lip seals - polyurethane and Buna-N type to cover all temperature ranges
- Should be stored in the retracted position during off season
- Maximum operating pressure 2500 psi
- If cylinder is leaking, replace cylinder as **seals are not serviceable.**



Service Parts:  
Breather - HYD07078