

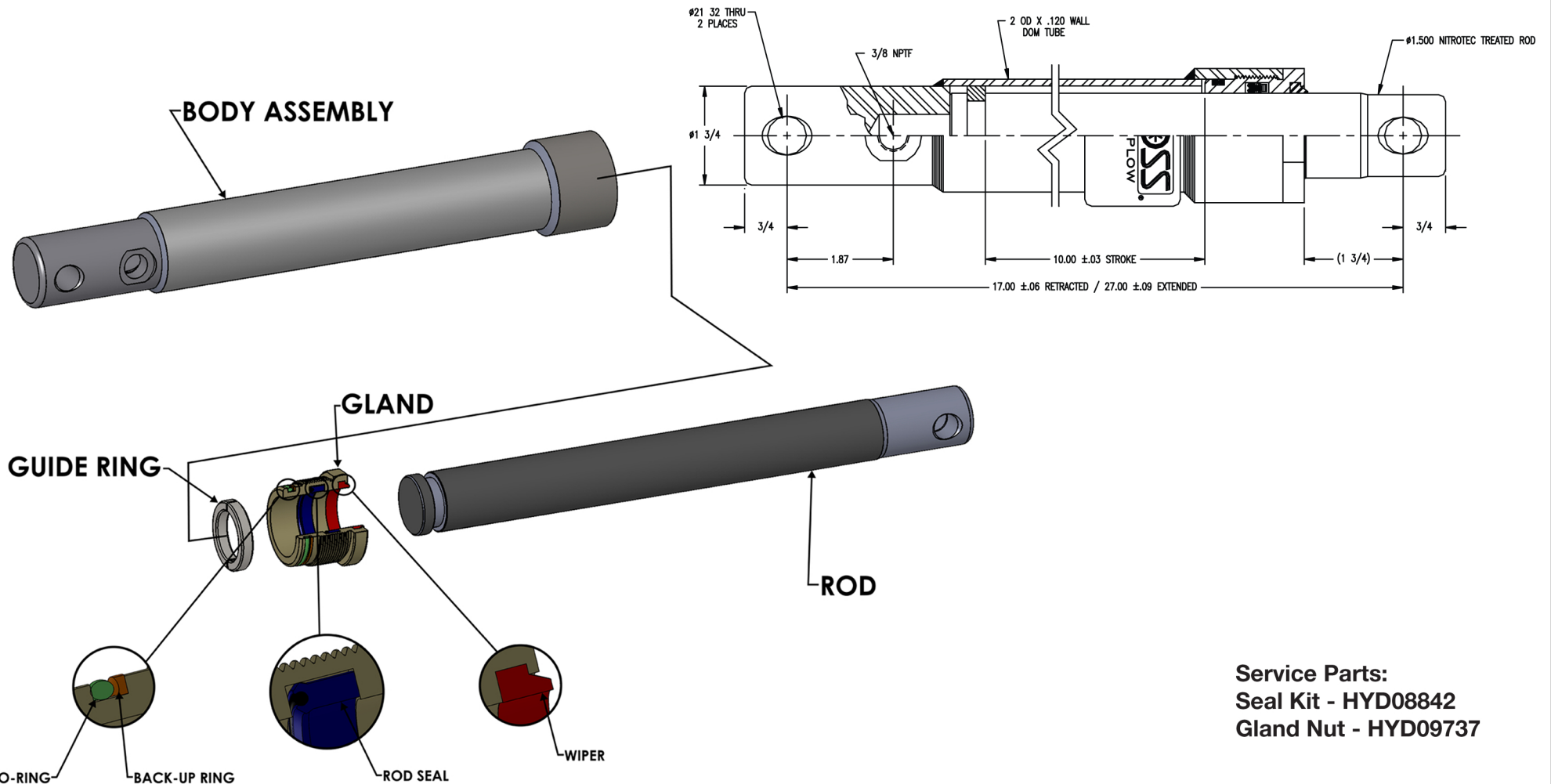


SNOWPLOW

# HYD09731

## Angle Cylinder 2006 & Newer RT3 V-Blade & Straight Blade

- Push (or Ram) type cylinder (work is performed as the rod extends from the cylinder)
- Double Lip Polyurethane seal
- 10" stroke 1 1/2" NitroBar plated rod
- Maximum operating pressure 3000psi
- Cannot stop leak by tightening gland nut
- Exploded cylinders should generally not be covered under warranty



**Service Parts:**  
**Seal Kit - HYD08842**  
**Gland Nut - HYD09737**