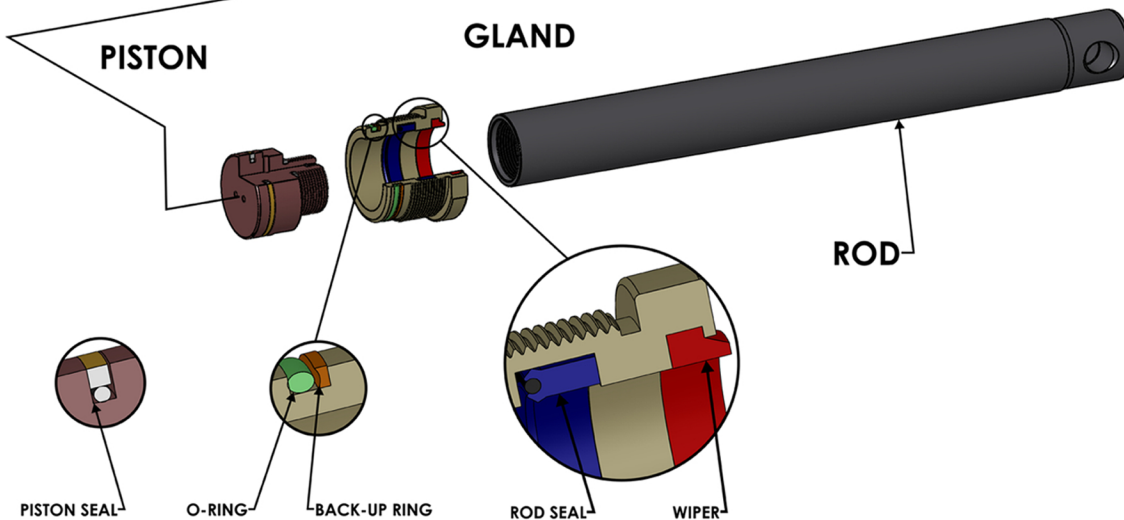
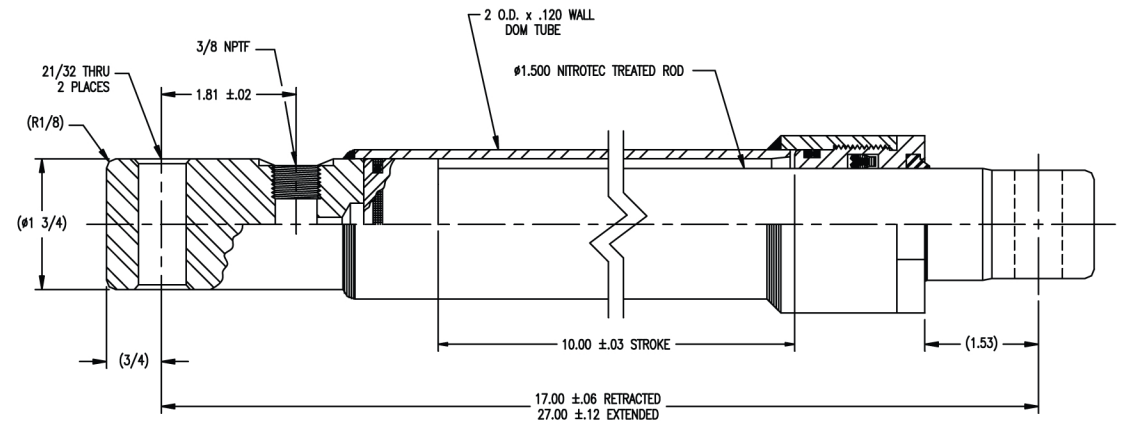
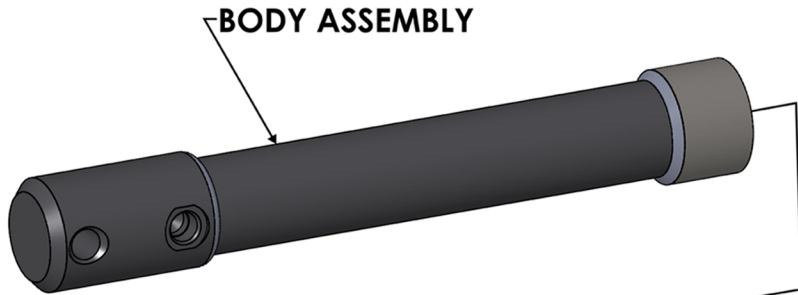


HYD09733

Locking Angle Cylinder 2006 & Newer V-Blades

- Push (or Ram) type cylinder (work is performed as the rod extends from the cylinder)
- Double Lip Polyurethane seal
- 10" stroke, 1.5" Nitrotec plated rod
- Screw on Piston - Locktight has been applied to piston
- Valve relieves at 3500 PSI when backdragging
- Packing nut maximum torque 30 ft-lbs
- Maximum operating pressure 3000 psi
- Cannot stop leak by tightening gland nut
- Exploded cylinders should generally not be under warranty.



Service Parts:
Seal Kit - HYD09734
Gland Nut - HYD09737