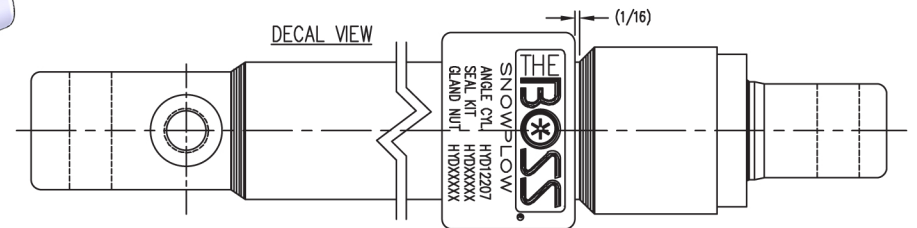
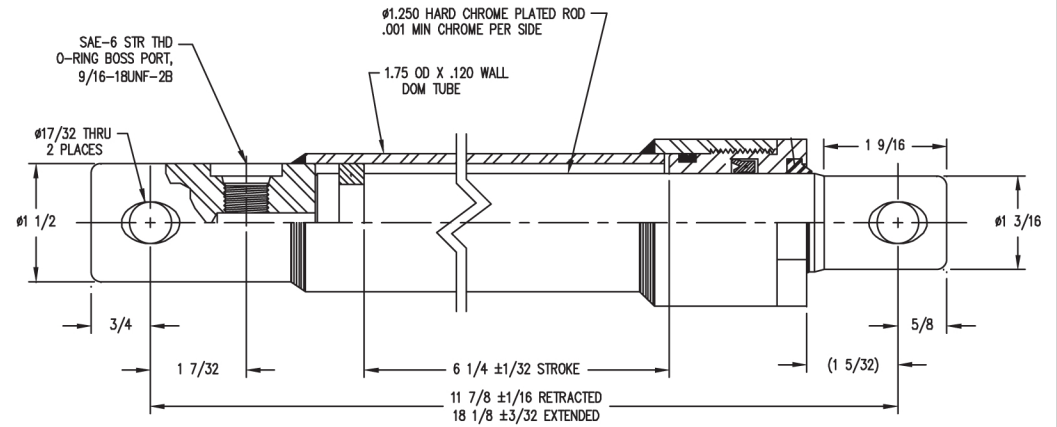
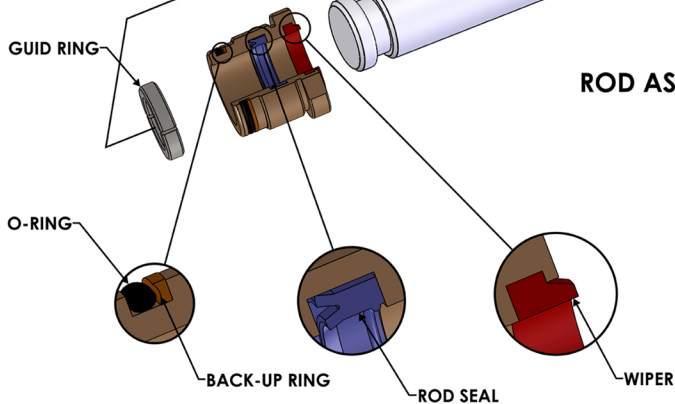
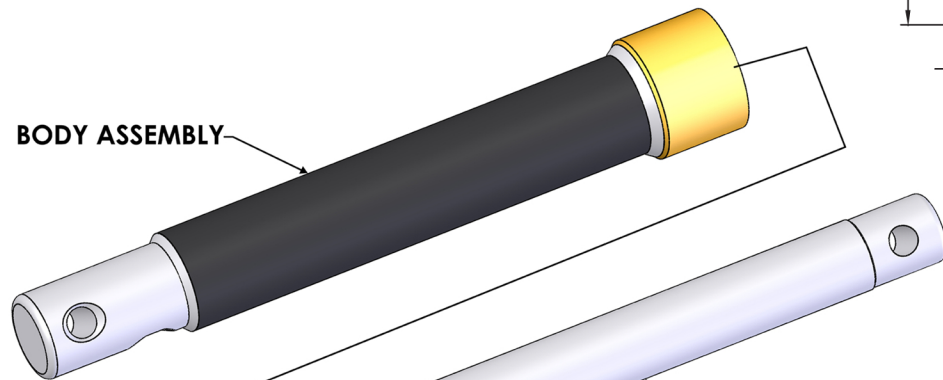




HYD12207

Angle Cylinder, UTV, Straight Blade

- Push (or Ram) type Cylinder (work is performed as the rod extends from the cylinder)
- 6 1/4" stroke, 1.250" Rod
- Maximum operating pressure 2000 PSI



Service Parts:
Seal Kit - HYD12822
Gland Nut - HYD12823