

# HYD012209 Hydraulic Power Unit Assembly Sport Duty/UTV Parts List

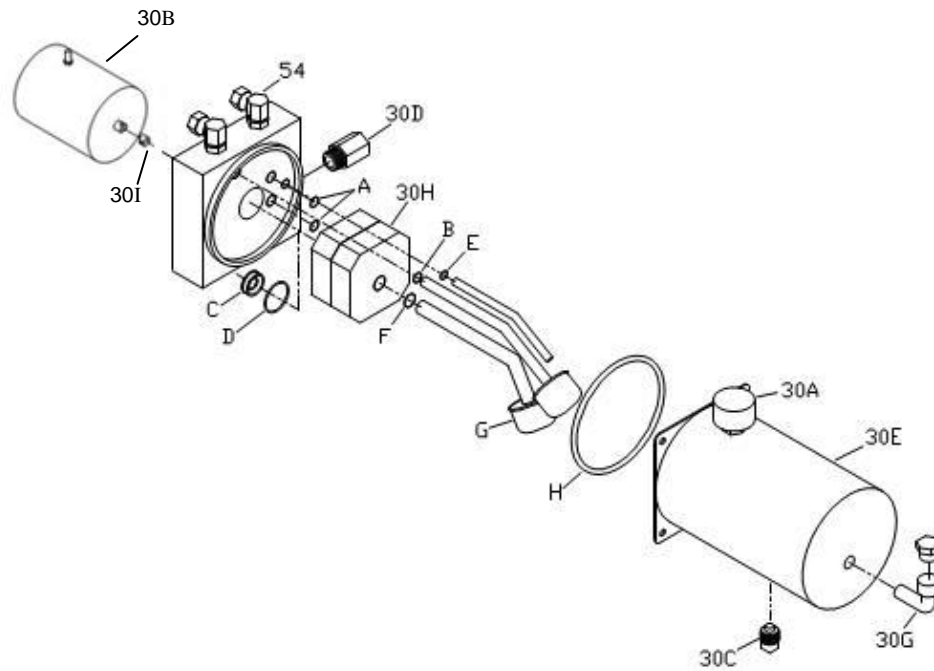


Figure 1. Hydraulic Power Unit Assembly Parts Breakdown

G10077

Reference Number	Description	Part Number	Qty
30	Hydraulic Pump Power Unit Barnes	HYD12209	1
30A	Hydraulic Pump Breather Cap	HYD01636	1
30B	Hydraulic Pump Motor - Barnes	HYD12217	1
30C	Hydraulic Reservoir Drain Plug	HYD01712	1
30D	Relief Valve	HYD01693	1
30E	Hydraulic Reservoir (2 Quart)	HYD04814	1
30G	Fill Cap & Elbow Kit	MSC05078	1
30H	Hydraulic Pump, .065 Displ.	HYD12216	1
30I	Shaft Adapter, Barnes Power Unit	HYD01671	1
30J	Seal Kit, Barnes Power Unit	HYD01670	
A	O-Ring Seals, Adapter	Included in 30J	
B	O-Ring Seal, Return Tube	Included in 30J	
C	Seal, Pump	Included in 30J	
D	O-Ring Seal, Pump Shaft	Included in 30J	
E	O-Ring Seal, Auxiliary Return Tube	Included in 30J	
F	O-Ring Seal, Suction Tube	Included in 30J	
G	Strainers, Hydraulic Power Unit	HYD01699	
H	Seal, Hydraulic Reservoir	Included in 30J	
54	Hydraulic Swivel Fitting	HYD01620	2
Not Shown	Ground Strap	MSC09850	1