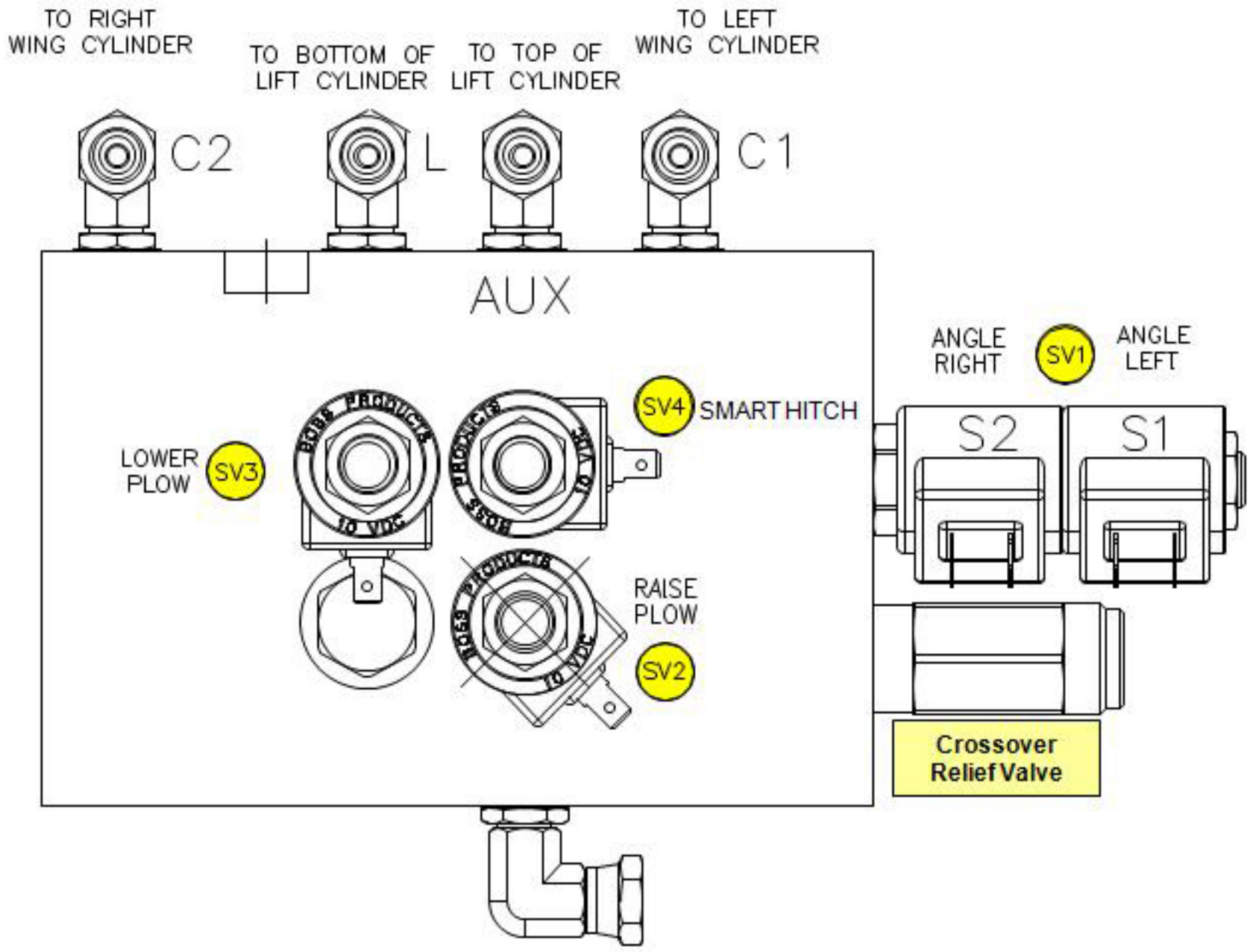
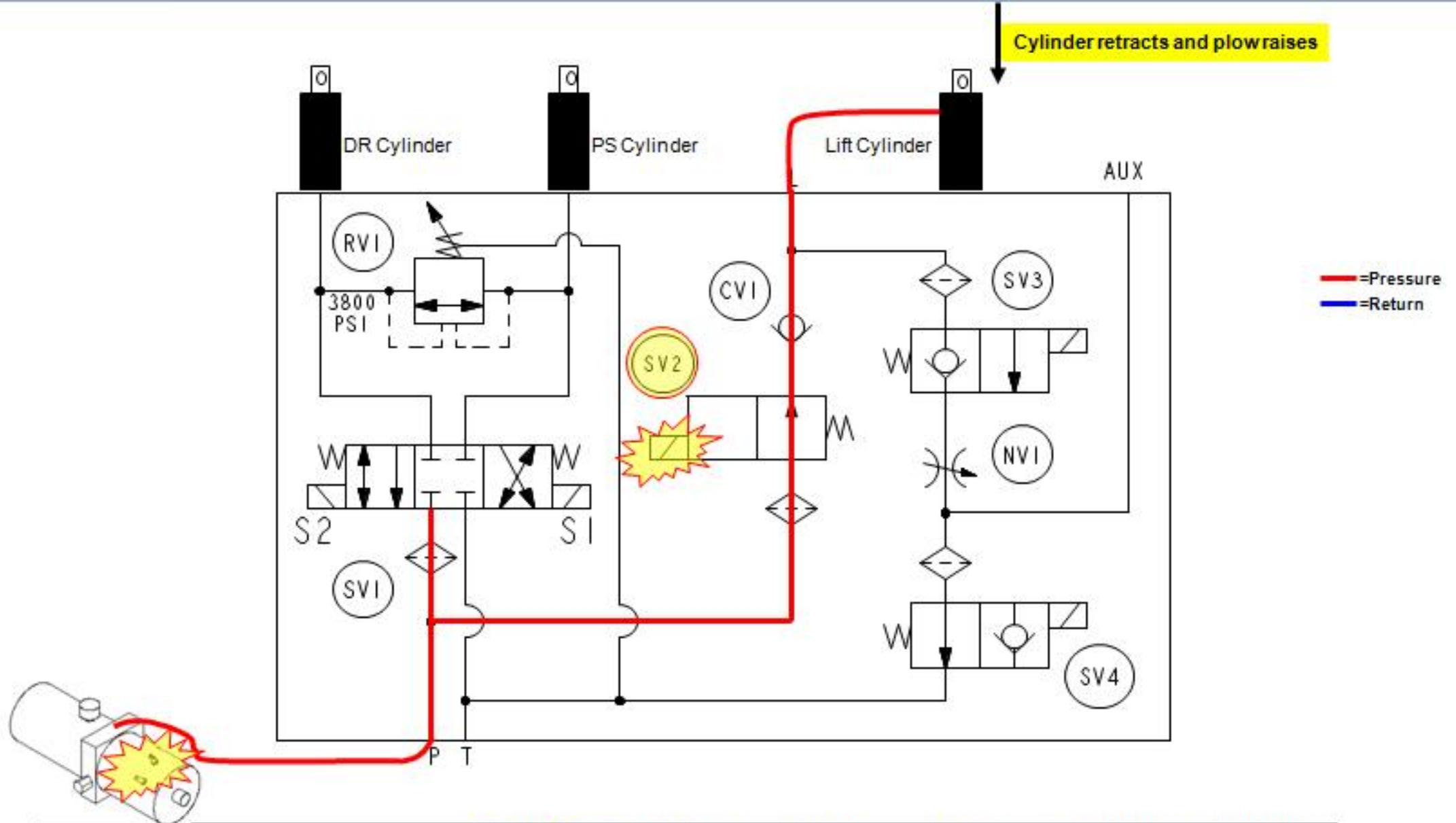
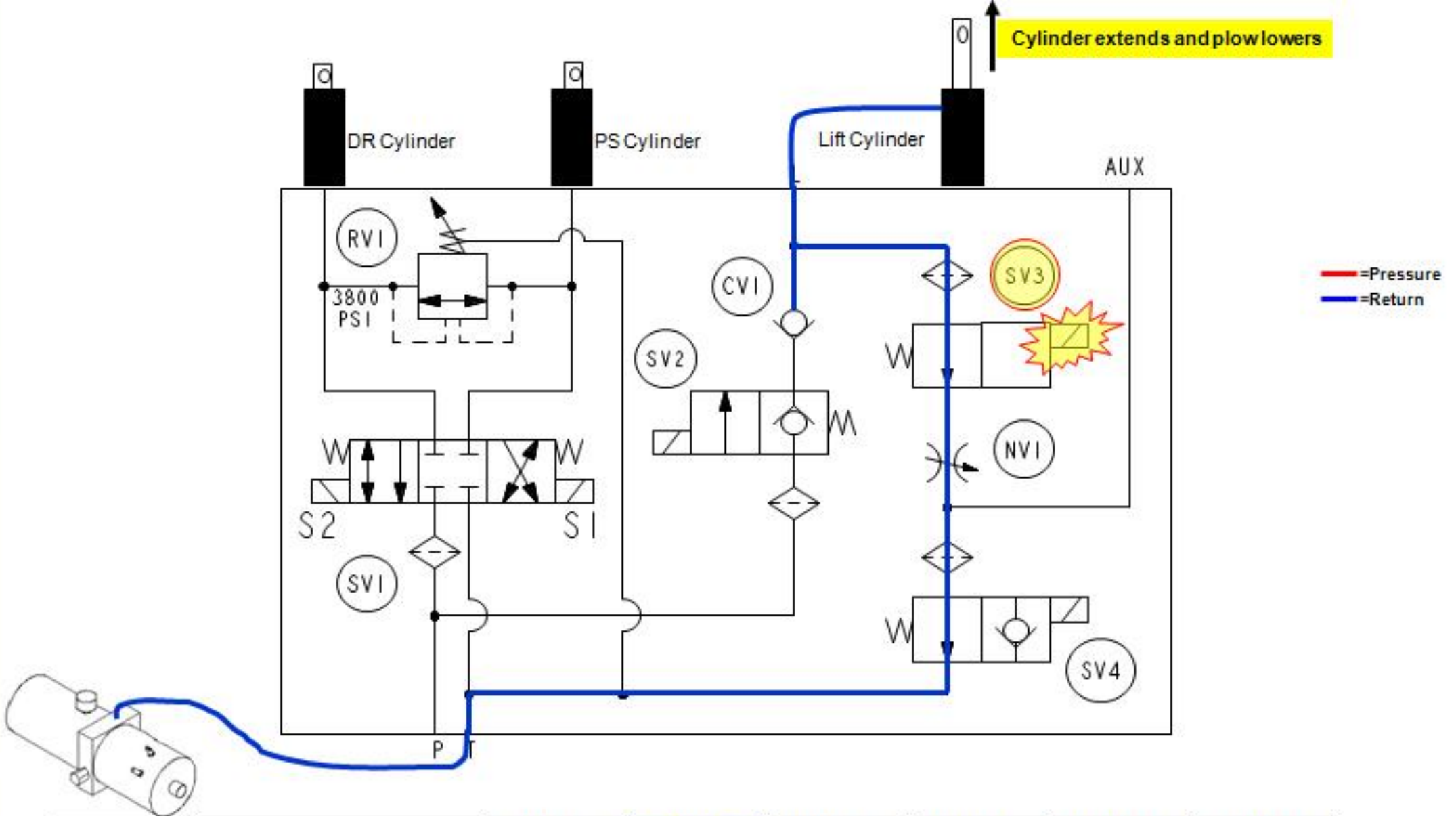


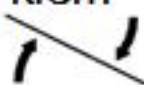



Hydraulic Valve Manifold – Straight Blade

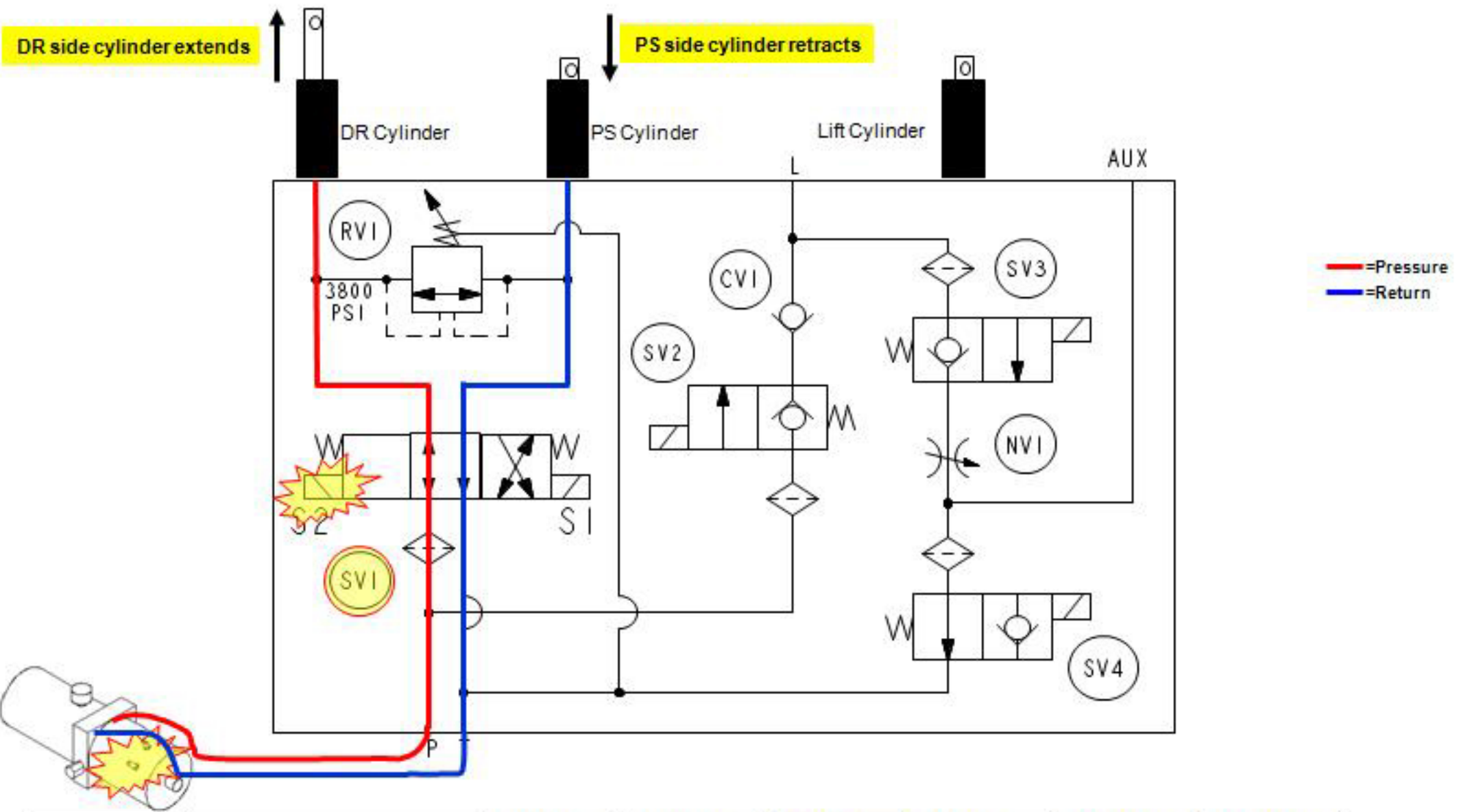




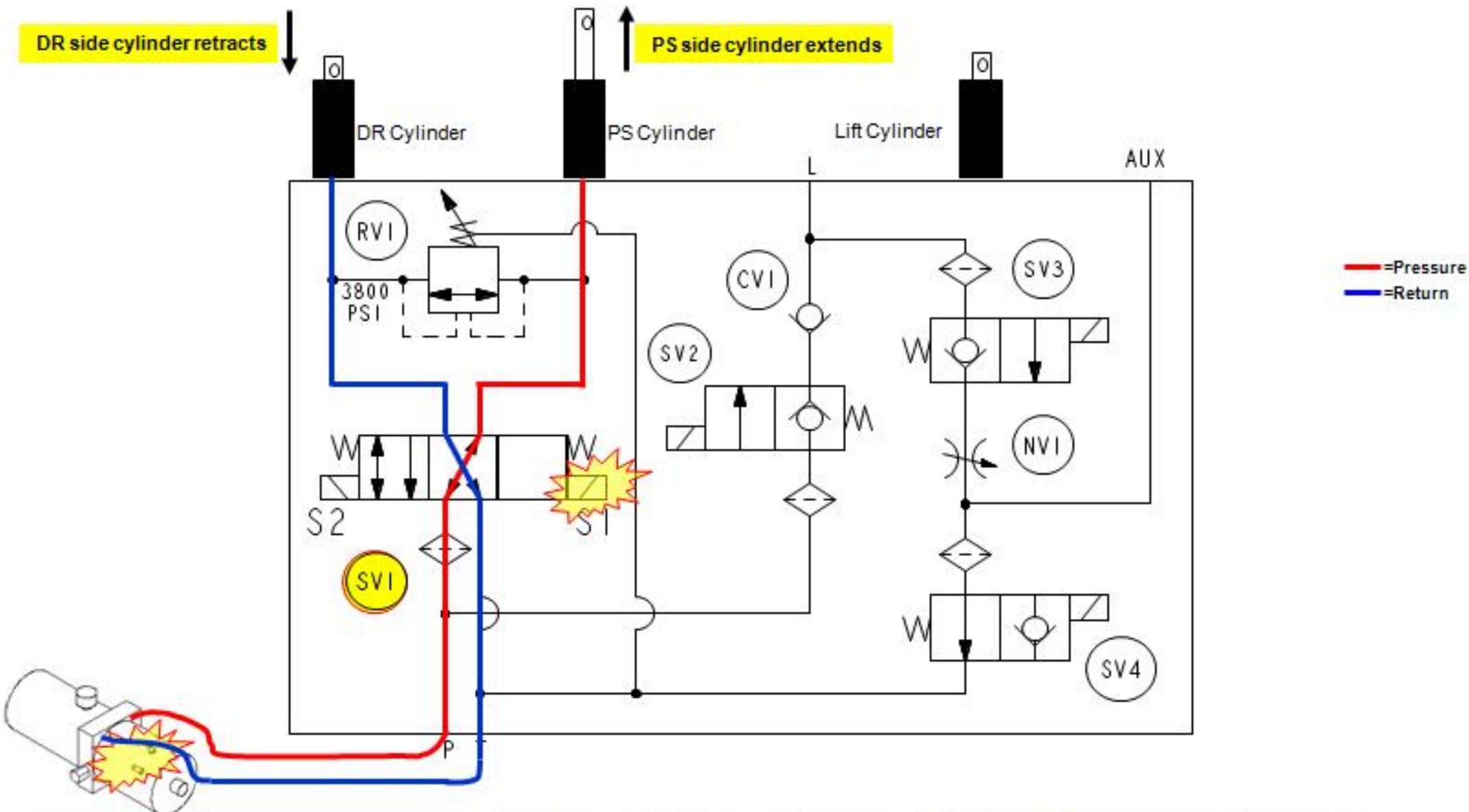
CONTROL WIRE	PLOW FUNCTION	RAISE ↑	LOWER ↓	ANGLE RIGHT ↗	ANGLE LEFT ↖	ATTACH ↗↖	DETACH ↖↗
	POWER UNIT	ON		ON	ON	ON	ON
	SV1 - Angle			ON (S2)	ON (S1)		
White	SV2 - Raise	ON				ON	ON
	SV3 - Lower		ON			ON	ON
	SV4 - Smarthitch					ON	



CONTROL WIRE	PLOW FUNCTION	RAISE	LOWER	ANGLE RIGHT	ANGLE LEFT	ATTACH	DETACH
		↑	↓				
	POWER UNIT	ON		ON	ON	ON	ON
	SV1 - Angle			ON (S2)	ON (S1)		
	SV2 - Raise	ON				ON	ON
Orange	SV3 - Lower		ON			ON	ON
	SV4 - Smarthitch					ON	

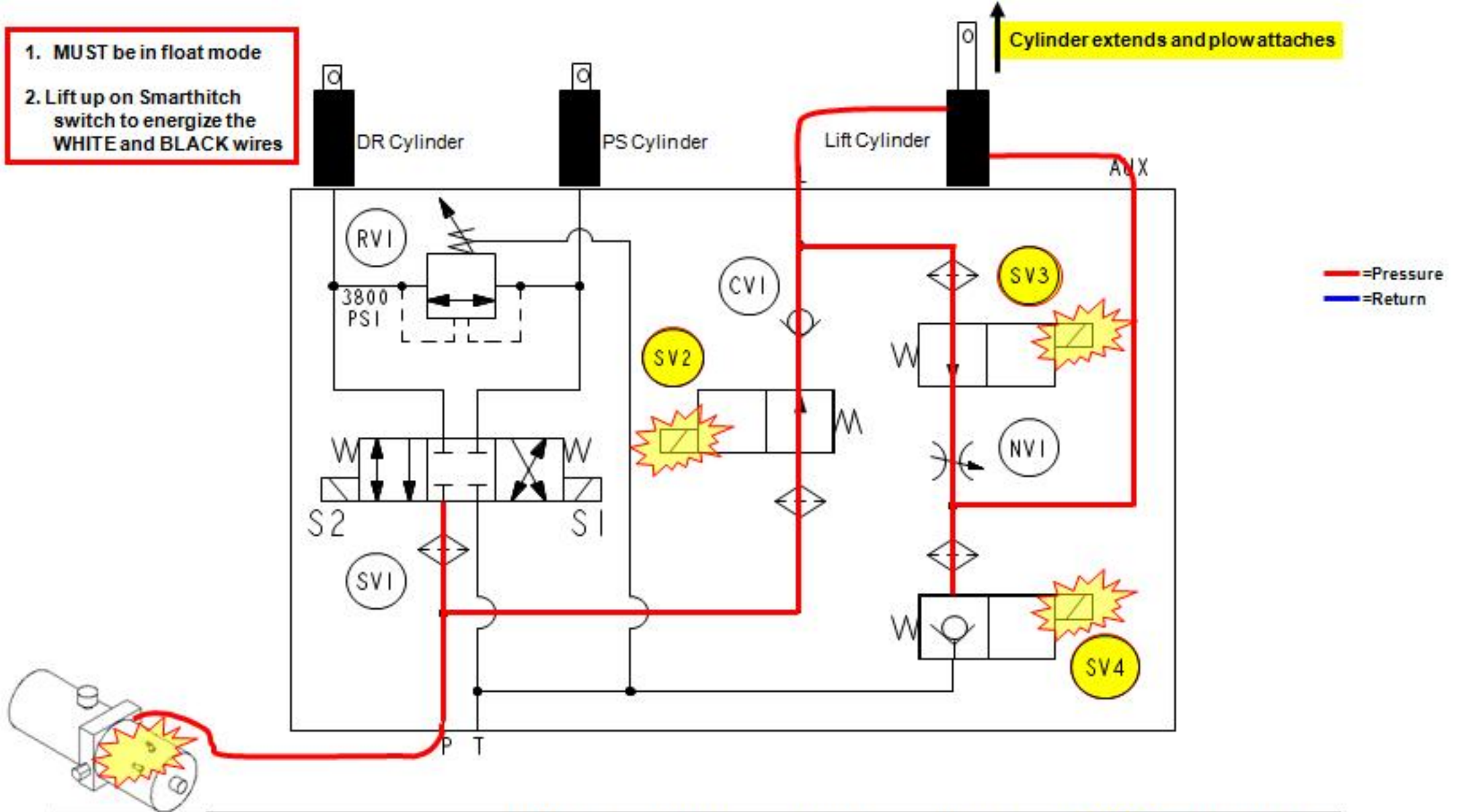




CONTROL WIRE	PLOW FUNCTION	RAISE ↑	LOWER ↓	ANGLE RIGHT 	ANGLE LEFT 	ATTACH 	DETACH
	POWER UNIT	ON		ON	ON	ON	ON
Blue/Green	SV1 - Angle			ON (S2)	ON (S1)		
	SV2 - Raise	ON				ON	ON
	SV3 - Lower		ON			ON	ON
	SV4 - Smarthitch					ON	



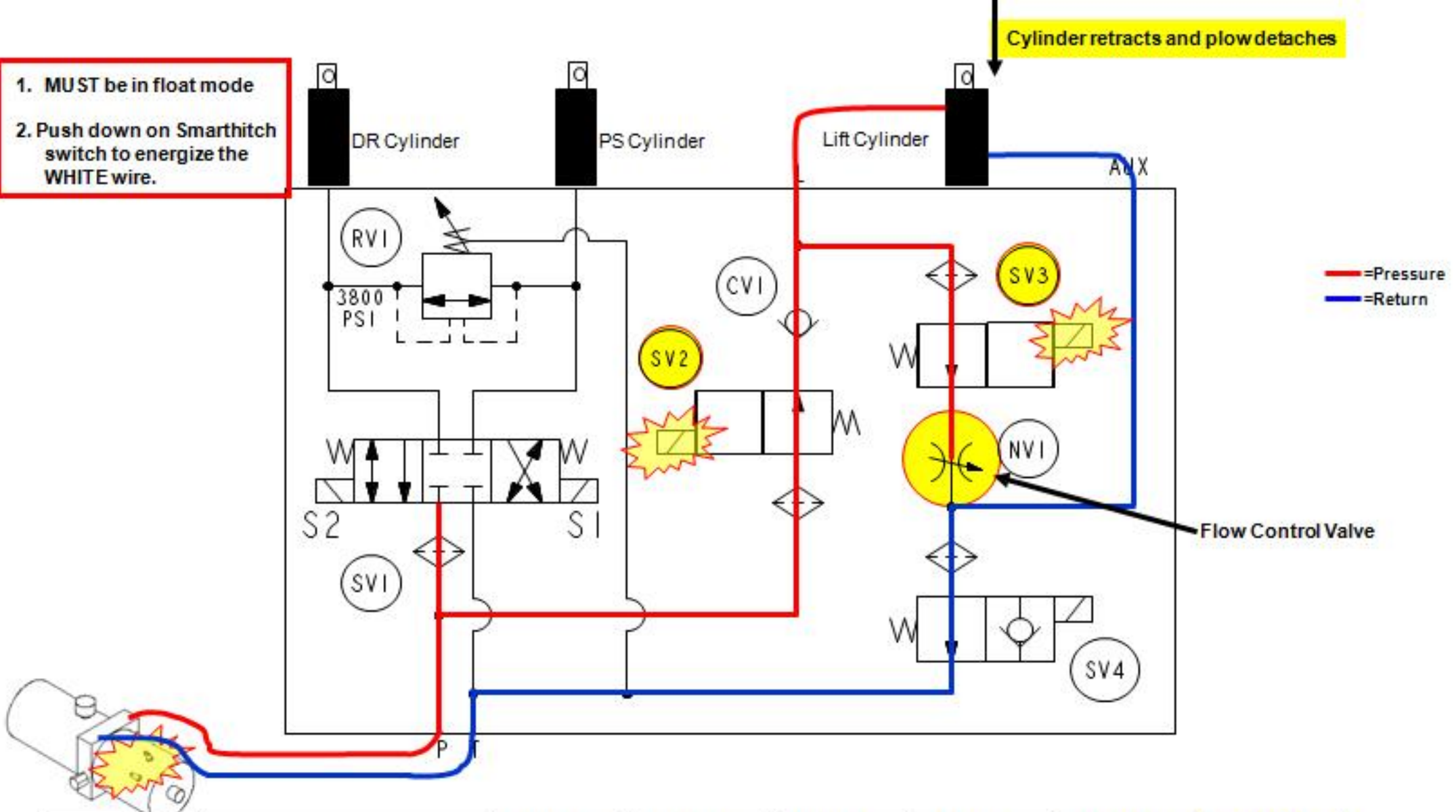
CONTROL WIRE	PLOW FUNCTION	RAISE ↑	LOWER ↓	ANGLE RIGHT 	ANGLE LEFT 	ATTACH 	DETACH
	POWER UNIT	ON		ON	ON	ON	ON
Red/Red-Black	SV1 - Angle			ON (S2)	ON (S1)		
	SV2 - Raise	ON				ON	ON
	SV3 - Lower		ON			ON	ON
	SV4 - Smarthitch					ON	

- MUST** be in float mode
- Lift up on Smarthitch switch to energize the **WHITE** and **BLACK** wires



CONTROL WIRE	PLOW FUNCTION	RAISE ↑	LOWER ↓	ANGLE RIGHT ↗	ANGLE LEFT ↖	ATTACH 	DETACH 
	POWER UNIT	ON		ON	ON	ON	ON
	SV1 - Angle			ON (S2)	ON (S1)		
White	SV2 - Raise	ON				ON	ON
Orange	SV3 - Lower		ON			ON	ON
Black	SV4 - Smarthitch					ON	

- MUST** be in float mode
- Push down on Smarthitch switch to energize the **WHITE** wire.



CONTROL WIRE	PLOW FUNCTION	RAISE ↑	LOWER ↓	ANGLE RIGHT ↗	ANGLE LEFT ↖	ATTACH 	DETACH
	POWER UNIT	ON		ON	ON	ON	ON
	SV1 - Angle			ON (S2)	ON (S1)		
White	SV2 - Raise	ON				ON	ON
Orange	SV3 - Lower		ON			ON	ON
	SV4 - Smarthitch					ON	