

13-Pin Headlight Adapter Kit Chevy/GMC 1990 & Newer (Classic or New Body Style) Colorado/Canyon

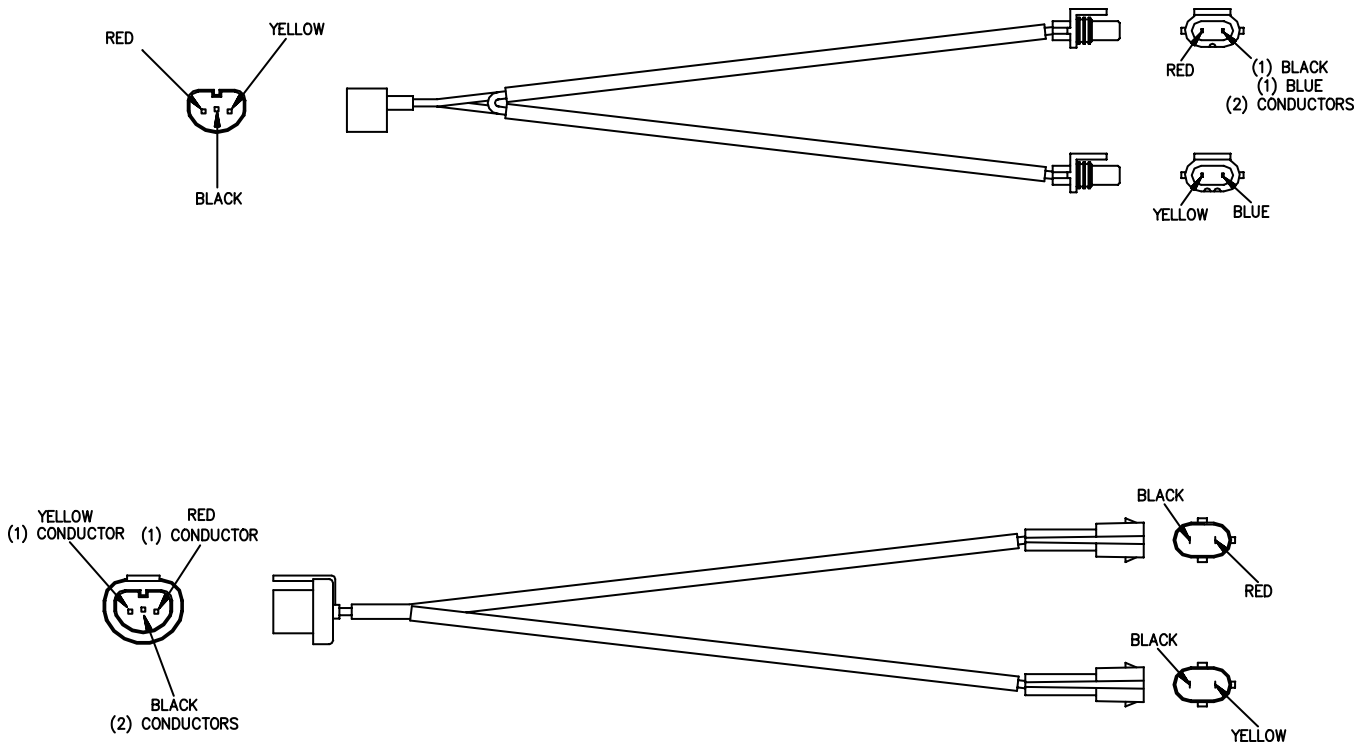


Figure 1. Headlight Adapter Kit MSC04601

G10197

MSC04601 Headlight Adapter Installation Procedure

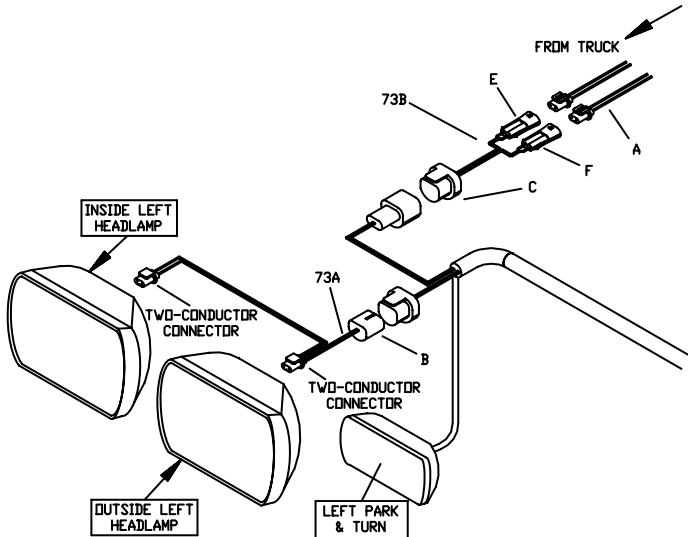


Figure 1. 1990 & Newer GM Headlight Adapter Connections G10161

This installation Procedure is for 1990 & Newer Chevrolet/GMC trucks with 4 headlight system.

1. Disconnect OEM Headlight Connector Plugs (A) from the back of the vehicle headlight.
2. Connect two ends of Headlight Adapter (73A) into the back of the vehicle headlights.
3. Connect the Black Rubber Female Socket (B) of Headlight Adapter (73A) into the plow wiring harness.
4. Connect the Blue Sealed Beam Connector (C) of Headlight Adapter (73B) into the plow wiring harness.

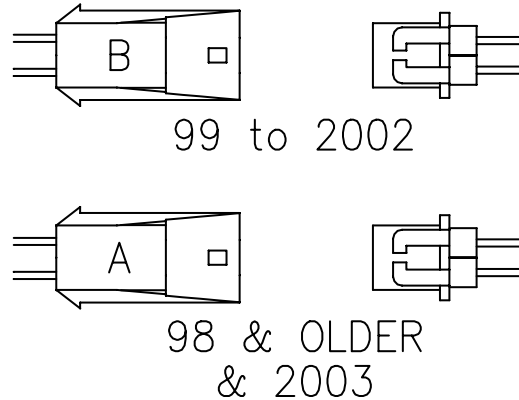


Figure 2. Item 73B to GM Wire Harness Connections G10180

5. Connect the gray (E) and black (F) sockets on headlight adapter 73B into the gray and black plugs from OEM wiring harness (A). Black to black and gray to gray.

Note: These connectors can be plugged in two ways to accommodate all GM vehicles. 1999 to 2002 vehicles use one configuration and 1998 and older and 2003 vehicles use the opposite configuration. Refer to figure 2 for orientation for the correct connection for your vehicle.

6. Repeat steps 1 through 5 for the opposite side headlight

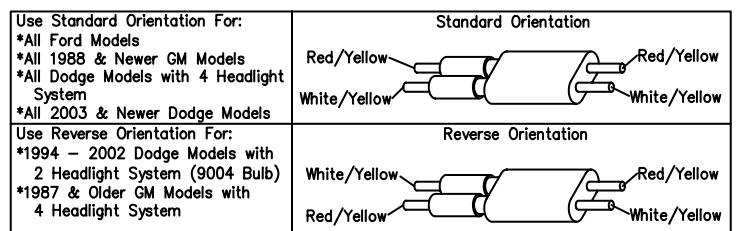


Figure 3. Vehicle Option Connector G10202

7. Locate the vehicle option connector. Align the connector so that the wire colors are positioned to match the vehicle it is installed on. This is illustrated in Figure 3.