

MSC04599 Headlight Adapter Installation Procedure (2 Headlight System)

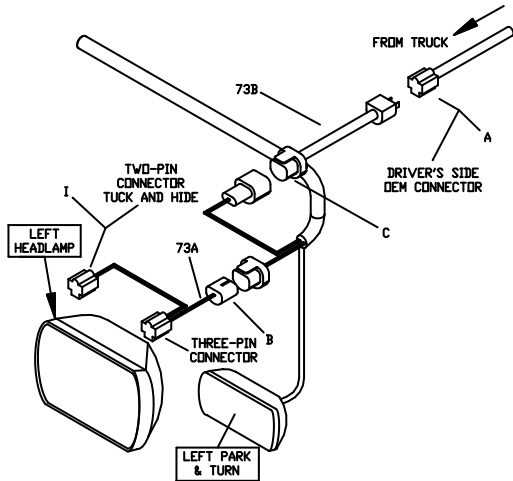


Figure 1. Driver's Side Single Connections G10159

Note: This installation Procedure is for trucks with a 2 headlight system.

1. Disconnect OEM Headlight Connector Plug (A) from the back of the Driver's Side Vehicle headlight.
2. Insert the Three Pin Connector of Headlight Adapter (73A) into the back of the Driver's Side Vehicle headlight.
3. Grease, tuck, and secure Two-Pin Connector (I). This connector is not used.
4. Connect the Black Rubber Female Socket (B) of Headlight Adapter (73A) into the plow wiring harness.
5. Connect the Blue Sealed Beam Connector (C) of Headlight Adapter (73B) into the driver's side plow wiring harness.
6. Connect the opposite end of Headlight Adapter (73B) into the OEM Wiring Harness (A).

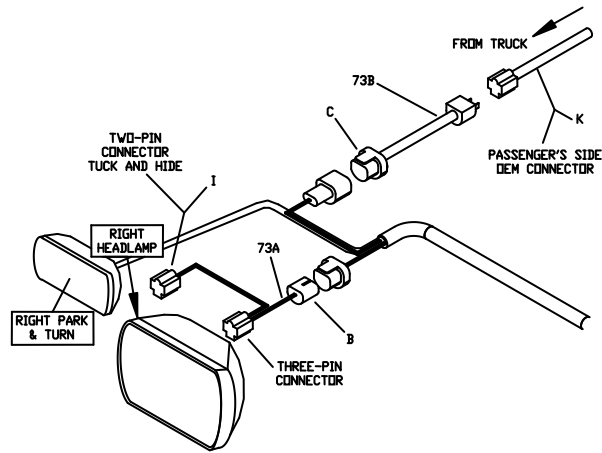


Figure 2. Passenger's Side Single Connections G10199

7. Repeat steps 1 through 6 for opposite side headlight.

Use Standard Orientation For:	Standard Orientation
*All Ford Models	Red/Yellow
*All 1988 & Newer GM Models	White/Yellow
*All Dodge Models with 4 Headlight System	Red/Yellow
*All 2003 & Newer Dodge Models	White/Yellow
Use Reverse Orientation For:	Reverse Orientation
*1994 - 2002 Dodge Models with 2 Headlight System (9004 Bulb)	White/Yellow
*1987 & Older GM Models with 4 Headlight System	Red/Yellow

Figure 3. Vehicle Option Connector G10202

8. Locate vehicle option connector. Align the connector so that the wire colors are positioned to match the vehicle it is installed on. This is illustrated in Figure 3.

MSC04599 Headlight Adapter Installation Procedure (4 Headlight System)

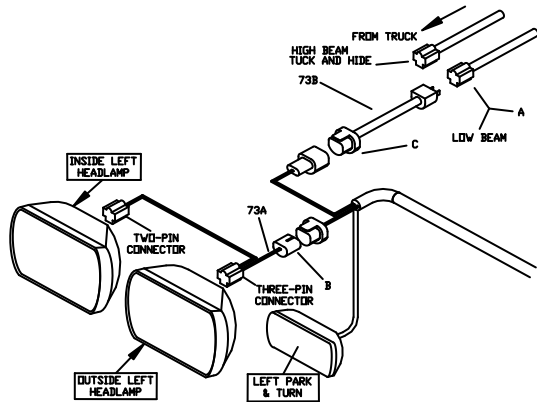


Figure 4. Driver's Side Dual Connections G10160

Note: This installation Procedure is for 1987 & Older Chevrolet/GMC trucks, Chevrolet/GMC C4500 & C5500 trucks, and Mitsubishi FG trucks, with 4 headlight systems.

1. Disconnect OEM Headlight Connector Plugs (A) from the back of the vehicle headlights.
2. Change the headlight adapter to the 87 & Older 4 headlight configuration by reversing the yellow and black wires as shown in Fig. 7. Use a small flat blade screwdriver to remove the metal pin from the plastic socket.
3. Insert the three pin connector of Headlight Adapter (73A) into the back of the outside headlight. Insert the two pin connector of Headlight Adapter (73A) into the back of the inside headlight.
4. Connect the Black Rubber Female Socket (B) of Headlight Adapter (73A) into the plow wiring harness.
5. Repeat Steps 1 through 3 for the opposite side headlight.
6. Connect the Blue Sealed Beam Connector (C) of Headlight Adapter (73B) into the plow wiring harness.

7. Connect the opposite end of Headlight Adapter (73B) into the Driver's Side OEM Wiring Harness (A) (Low Beam).

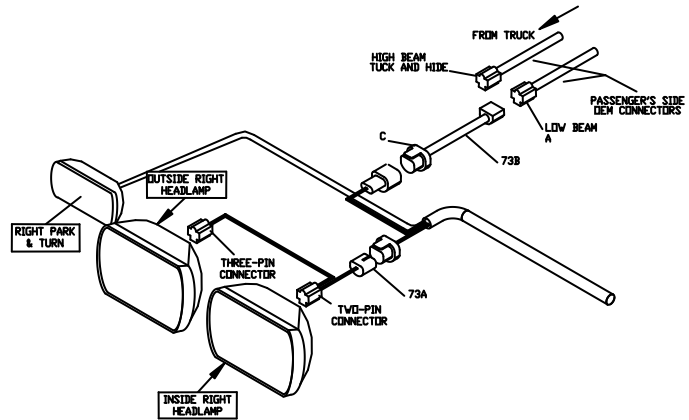


Figure 5. Passenger's Side Dual Connections G10201

8. Repeat Steps 6 and 7 for the opposite side headlight.
9. Grease, tuck, and secure High Beam OEM Wiring Harness. This Connector is not used. All power is drawn from the Low Beam OEM Connector.

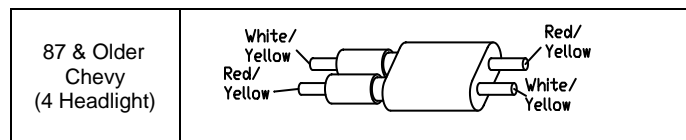
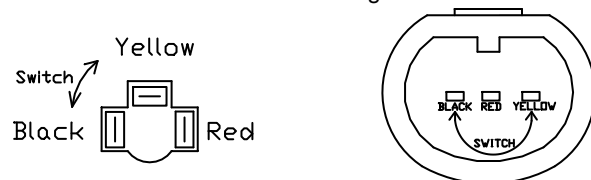


Figure 6. Vehicle Connector G10221

10. Locate vehicle option connector. Align the connector so that the wire colors are positioned to match the vehicle it is installed on. This is illustrated in Figure 7.



Adapter 73A Drivers Side & Passenger

Adapter 73B Drivers Side & Passenger

Figure 7. Plastic Sockets

G10222