

MSC04600 Headlight Adapter Installation Procedure

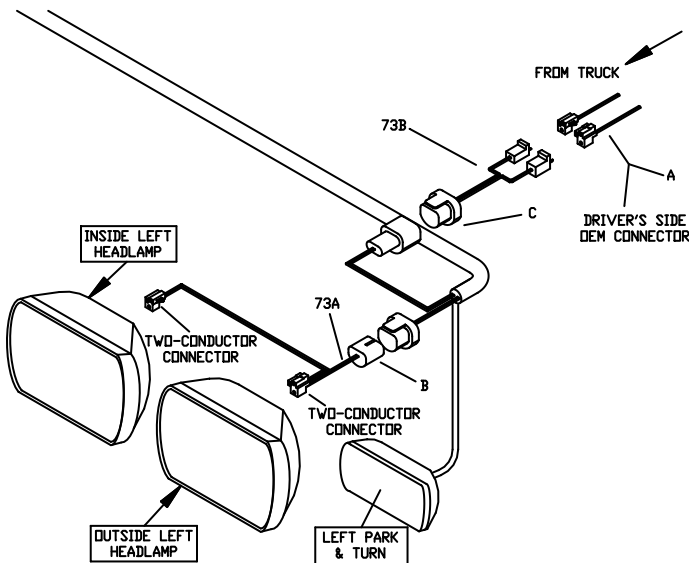


Figure 1. Driver's Side Connections G10163

This installation Procedure is for 1988-1989 Chevrolet/GMC trucks with 4 headlight system.

1. Disconnect OEM Headlight Connector Plugs (A) from the back of the Driver's Side vehicle headlight.
2. Connect two ends of Headlight Adapter (73A) into the back of the Driver's Side vehicle headlights
3. Connect the Black Rubber Female Socket (B) of Headlight Adapter (73A) into the plow wiring harness.
4. Connect the Blue Sealed Beam Connector (C) of Headlight Adapter (73B) into the plow wiring harness.
5. Connect the opposite end of Headlight Adapter (73B) into the OEM Wiring Harness (A).

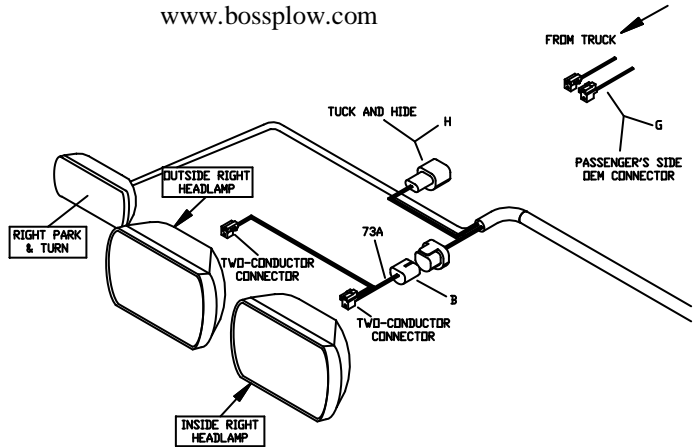


Figure 2. Passenger's Side Connections G10200

6. Disconnect OEM Headlight Connector Plugs (G) from the back of the Passenger's Side vehicle headlight.
7. Connect two ends of Headlight Adapter (73A) into the back of the Passenger's Side vehicle headlights.
8. Connect the Black Rubber Female Socket (B) of Headlight Adapter (73A) into the plow wiring harness.
9. Grease, tuck, and secure Passenger's Side OEM Connector Plugs (G). These connectors are not used.
10. Grease, tuck, and secure Passenger's Side Wiring Harness Connector (H). This Connector is not used. All power is drawn from the Driver's Side OEM Connectors.

Use Standard Orientation For:	Standard Orientation
*All Ford Models	Red/Yellow
*All 1988 & Newer GM Models	White/Yellow
*All Dodge Models with 4 Headlight System	Red/Yellow
*All 2003 & Newer Dodge Models	White/Yellow
Use Reverse Orientation For:	Reverse Orientation
*1994 - 2002 Dodge Models with 2 Headlight System (9004 Bulb)	White/Yellow
*1987 & Older GM Models with 4 Headlight System	Red/Yellow

Figure 3. Vehicle Option Connector G10202

11. Locate vehicle option connector. Align the connector so that the wire colors are positioned to match the vehicle it is installed on. This is illustrated in Figure 3.