



A Division of The Toro Company

P.O. Box 787 Iron Mountain, MI 49801-0787

ISO 9001:2008 REGISTERED

bossplow.com

**2003 & NEWER $\frac{3}{4}$ & 1 TON DODGE
RT3 UNDERCARRIAGE
MOUNTING INSTRUCTIONS
(PART NO. LTA04770D)**

WARNING

Many newer trucks are now equipped with air bags. DO NOT under any circumstances disable, remove or relocate any sensors or other components related to the operation of the air bags.

Always follow the vehicle manufacturers' recommendations relating to snowplow installation. For recommended vehicle models refer to the BOSS Snowplow Application Chart and Selection Guide.

To comply with Federal Regulations and to assure a safe vehicle, the Front Gross Axle Weight Rating (FGAWR), Rear Gross Axle Weight Rating (RGAWR), and the Gross Vehicle Weight Rating (GAWR) must not be exceeded at any time.

Due to the variety of equipment that can be installed on this vehicle, it is necessary to verify that the Front Gross Axle Weight Rating (FGAWR), Rear Gross Axle Weight Rating (RGAWR), and the Gross Vehicle Weight Rating (GAWR) are not exceeded at any time. This may require weighing the vehicle and adding ballast as necessary. It may also limit payload capacity of the vehicle. It is the operator's responsibility to verify that these ratings are not exceeded.

2003 & NEWER ¾ & 1 TON DODGE RT3 UNDERCARRIAGE MOUNTING INSTRUCTIONS

The mounting procedure outlined below covers the 2003 and Newer ¾ & 1 Ton Dodge trucks. You will need to refer to the illustrations and familiarize yourself with each of the undercarriage components and their relative position to each other. Then proceed as follows:

1. Remove the front lower plastic shroud below bumper. Next remove the bumper bracket hardware connecting the bumper to the driver's side (DS) of the frame. Align the two vertical holes on Push Beam Support Plate (62B) with the bumper mounting holes on the outside of the frame. Loosely attach Push Beam Support Plate (62B) to the frame using two ½"-13 x 4-½" Hex Head Bolts (H), ½" washers (G), and ½"-13 Lock Nut (B).

NOTE: 2013+ diesel models will require the removal of the front crash bracket and hardware from each side. Next, remove the charge air cooler (CAC) mounting bolts from truck frame (2 bolts per side). Remove the CAC shroud and disconnect the CAC hoses to allow moving the charge air cooler out of the way temporarily. This will allow for easier removal of the bumper bracket hardware. After the bumper bracket hardware is removed from each side, replace the mounting bolts for CAC, and re-attach the shroud and hoses.

2. With Push Beam Support Plate (62B) in place, use the rearward 11/16" hole as a guide to drill an 11/16" diameter hole into the side of the truck frame through both walls of the frame (2010+ trucks will have an existing hole). NOTE: Some older-model trucks may require the use of the smaller 9/16" hole and 1/2" bolt. Install a 5/8"-11 x 4" Hex Head Bolt (J), 5/8" washer (C) and 5/8"-11 Lock Nut (E).

3. Using the hole on the Push Beam Support Plate (62B) as a guide, drill a 9/16" hole through the bottom of the frame. Align the hole in the bottom plate of Push Beam Support Plate (62B) with the drilled hole in the bottom of the frame. Install Nut Bar (101), ½" Split Lock Washer (F), ½" Washer (G), and ½"-13 X 1-1/2" Hex Head Bolt (A).

4. Repeat steps 1-3 on the passenger side with Push Beam Support Plate (62A). Leave all hardware finger tight.

5. Install Push Beam Assembly (62) between Push Beam Support Plates (62A & 62B) using eight ½"-13 x 1-1/2" Hex Head Bolts (A) and ½"-13 Lock Nuts (B).

NOTE: The proper height adjustment for Push Beam Assembly (62) is 15-1/2" from the ground to the center of the pin receiving hole (see Figure 2). Adjust push beam height as needed and leave hardware finger tight.

6. Assemble PS Angle Bracket (75A) onto the tab on the back of Push Beam Assembly (62) using two ½"-13 x 1-1/2" Hex Head Bolts (A) and ½"-13 Lock Nuts (B). The top portion of Angle Bracket (75A) should fully contact the outside and bottom of the truck frame. If this is not achieved, adjust the vertical mounting location of Angle Bracket (75A) on Push Beam Assembly (62). With PS Angle Bracket (75A) in place, use either of the holes in the Angle Bracket as a guide and drill an 11/16" diameter hole through both walls of the truck frame. Install PS Angle Bracket using **5/8"-11 x 4-1/2" Hex Head Bolt (D)**, 5/8" Bolt Plate (102) as needed, 5/8" washers (D) and 5/8"-11 Lock Nut (E). Leave hardware finger tight.

7. Assemble DS Angle Bracket (75B) onto the tab on the back of Push Beam Assembly (62) using two ½"-13 x 1-1/2" Hex Head Bolts (A) and ½"-13 Lock Nuts (B). The top portion of Angle Bracket (75B) should fully contact the outside and bottom of the truck frame. If this is not achieved, adjust the vertical mounting location of Angle Bracket (75B) on Push Beam Assembly (62). NOTE: The mounting height of the PS and DS Angle Brackets on the Push Beam tabs should match. With Angle Bracket (75B) in place, use either of the holes in the Angle Bracket as a guide and drill an 11/16" diameter hole through both walls of the truck frame. Install PS Angle Bracket (75A) using **5/8"-11 x 5" Hex Head Bolt (K)**, 5/8" Bolt Plate (102) as needed, 5/8" washers (D) and 5/8"-11 Lock Nut (E). Leave hardware finger tight.

8. With all components in place, tighten all hardware. The mounting hardware for Push Beam Support Plates (62A & 62B) should be tightened first, then the mounting hardware for Push Beam Assembly (62). Tighten the remaining hardware. **DO NOT OVERTIGHTEN THE UPPER MOUNTING HARDWARE FOR ANGLE BRACKETS (75A & 75B) AS IT COULD CRUSH THE TRUCK FRAME.** It is important that all hardware be properly torqued (see Figure 3) to assure a safe operating plow. Retighten all fasteners after 2 hours of plowing.

2003 & NEWER ¾ & 1 TON DODGE RT3 UNDERCARRIAGE INSTALLATION PROCEDURE

REF. NO.	DESCRIPTION	PART NO.	QTY.
62	Push Beam Assembly	PBA04945	1
62A	Push Beam Support Plate, Passenger Side	PBA04941	1
62B	Push Beam Support Plate, Driver Side	PBA04940	1
75A	Angle Bracket, Passenger Side	LTA04943	1
75B	Angle Bracket, Driver Side	LTA04942	1
101	Nut Bar ½"	LTA05391	2
102	Bolt Plate, 5/8"	MSC04848	2

FASTENER KIT, DODGE 2003 & UP HDW04835 1

Includes:

A	½" – 13 x 1- ½" Hex Head Bolt	HDW01728	14
B	½" – 13 Hex Head Nylon Lock Nut	HDW01748	18
C	5/8" Flat Washer	HDW01726	8
D	5/8"-11 x 4-1/2" Hex Head Bolt	HDW01705	4
E	5/8"-11 Hex Head Top Lock Nut	HDW01709	6
F	½" Split Lock Washer	HDW01732	2
G	½" Flat Washer	HDW05501	6
H	½"-13 x 4-1/2" Hex Head Bolt	HDW01778	6
J	5/8"-11 x 4" Hex Head Bolt	HDW01706	2
K	5/8"-11 x 5" Hex Head Bolt	HDW01747	1

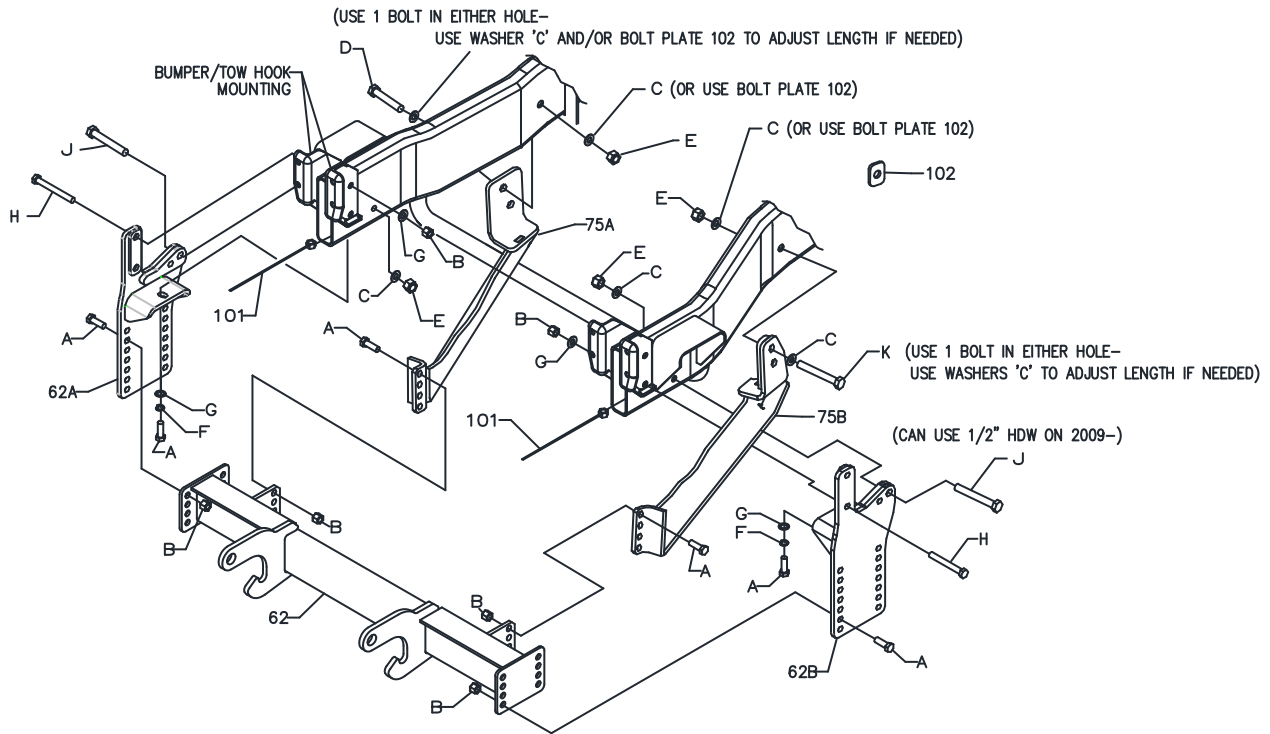


Figure 1

G10613

RECOMMENDED PUSHBEAM HEIGHT

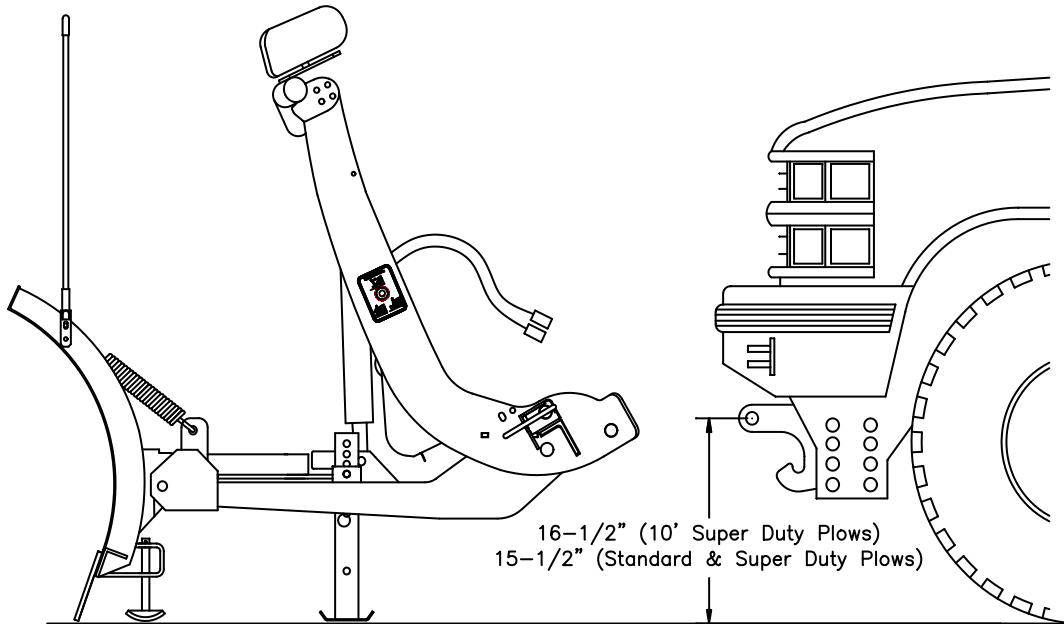
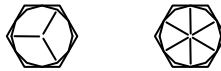


Figure 2

G10155

GUIDE TO RECOMMENDED ASSEMBLY TORQUE



DIAMETER / PITCH	GRADE 5	GRADE 8	GRADE 8.8	GRADE 10.9
1/4-20	6	9		
5/16-18	14	19		
3/8-16	23	33		
7/16-14	38	53		
1/2-13	56	80		
9/16-12	82	116		
5/8-11	113	159		
3/4-10	201	283		
M10 X 1.25			36	
M10 X 1.5				49
M12 X 1.75				71
M14 X 2.0				80

ALL TORQUE VALUES ARE IN FOOT-POUNDS (FT.-LB.)

Figure 3

G10410

* The torque values listed above are based on dry, coated bolts, variables such as oil, or other lubrications may appreciably alter these values and must be taken into consideration.

NOTE: IT IS IMPORTANT THAT ALL FASTENERS BE PROPERLY TORQUED TO ASSURE A SAFE OPERATING PLOW. RE-TIGHTEN ALL FASTENERS AFTER 2 HOURS OF PLOWING.