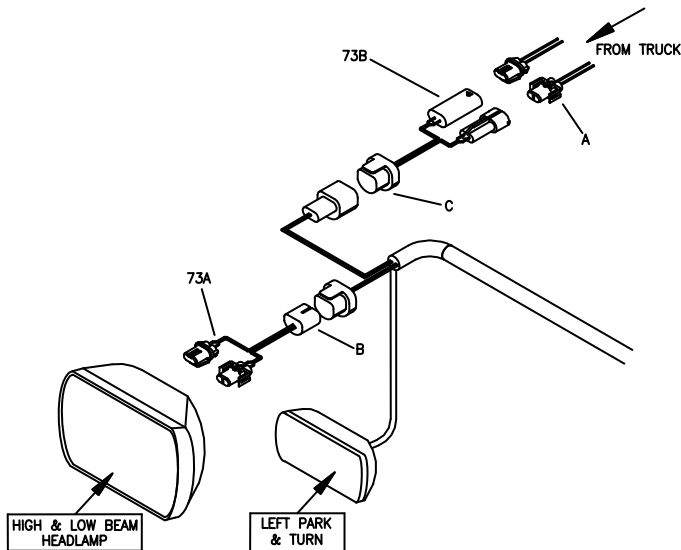


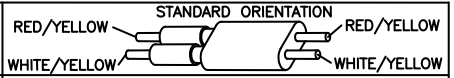
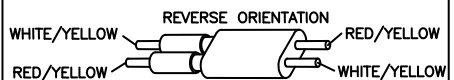
## MSC05665 Headlight Adapter Installation Procedure



**Figure 1.** 2007 & Newer Tundra Headlight Adapter G10504

This Installation Procedure is for 2007 & Newer Toyota Tundra trucks with 2 headlight systems.

1. Disconnect OEM Headlight Connector Plugs (A) from the back of the vehicle headlight.
2. Connect two ends of Headlight Adapter (73A) into the back of the vehicle headlights.
3. Connect the Black Rubber Female Socket (B) of Headlight Adapter (73A) into the plow wiring harness.
4. Connect the Blue Sealed Beam Connector (C) of Headlight Adapter (73B) into the plow wiring harness.
5. Connect the two ends of Headlight Adapter (73B) into the OEM Headlight Connector Plugs (A).
6. Repeat steps 1 through 5 for the opposite side headlight.

<p>USE STANDARD ORIENTATION FOR ALL VEHICLES UNLESS LISTED BELOW OR SPECIFIED IN THE HEADLIGHT ADAPTER INSTALLATION INSTRUCTIONS.</p> <p>USE REVERSE ORIENTATION FOR THE FOLLOWING VEHICLES:</p> <p>*1994–2002 DODGE MODELS WITH 2 HEADLIGHT SYSTEM (9004 BULB)</p> <p>*1987&amp;OLDER GM MODELS WITH 4 HEADLIGHT SYSTEM</p> <p>*1987–1991 FORD (9004 BULB)</p>	<p>STANDARD ORIENTATION</p> 
	<p>REVERSE ORIENTATION</p> 

**Figure 2.** Vehicle Option Connector

G10202

7. Locate the vehicle option connector. Align the connector so that the wire colors are positioned to match the vehicle it is installed on. This is illustrated in Figure 2.

# 13-Pin Headlight Adapter Kit Toyota Tundra 2007 & Newer

## MSC05665

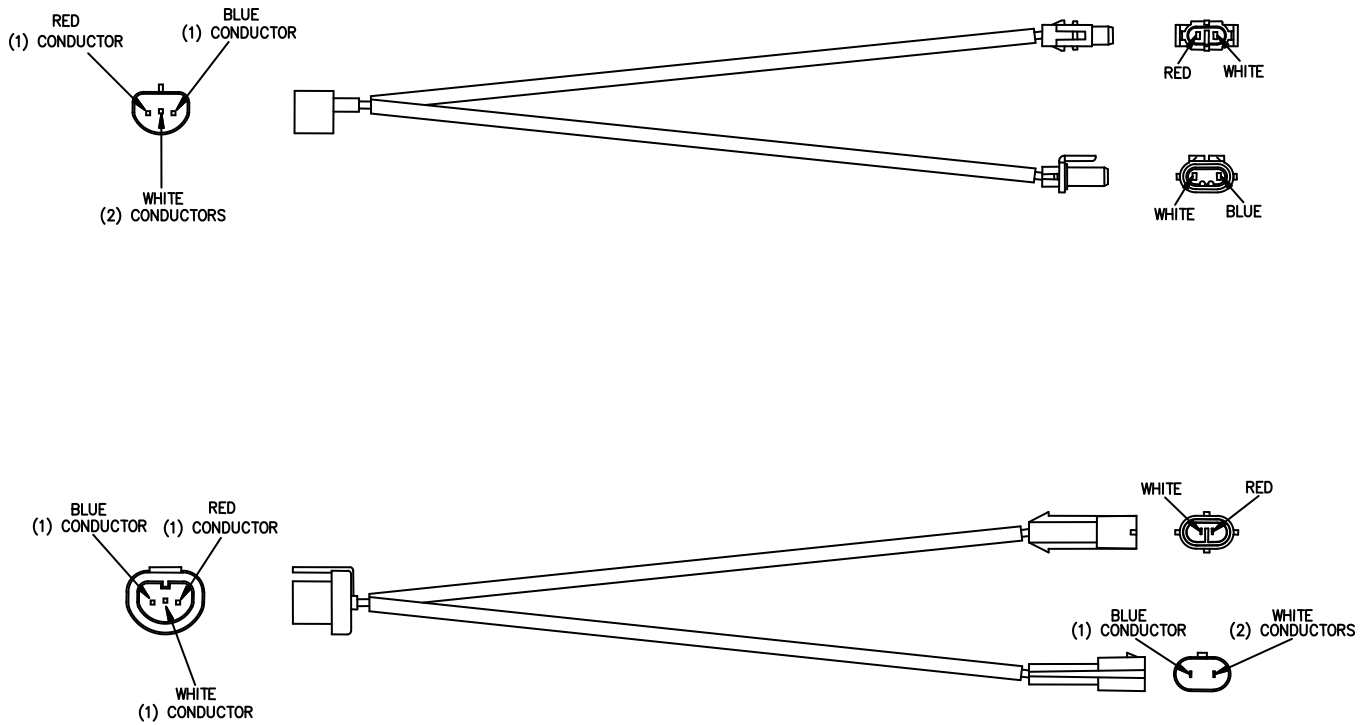


Figure 1. Headlight Adapter Kit MSC05665