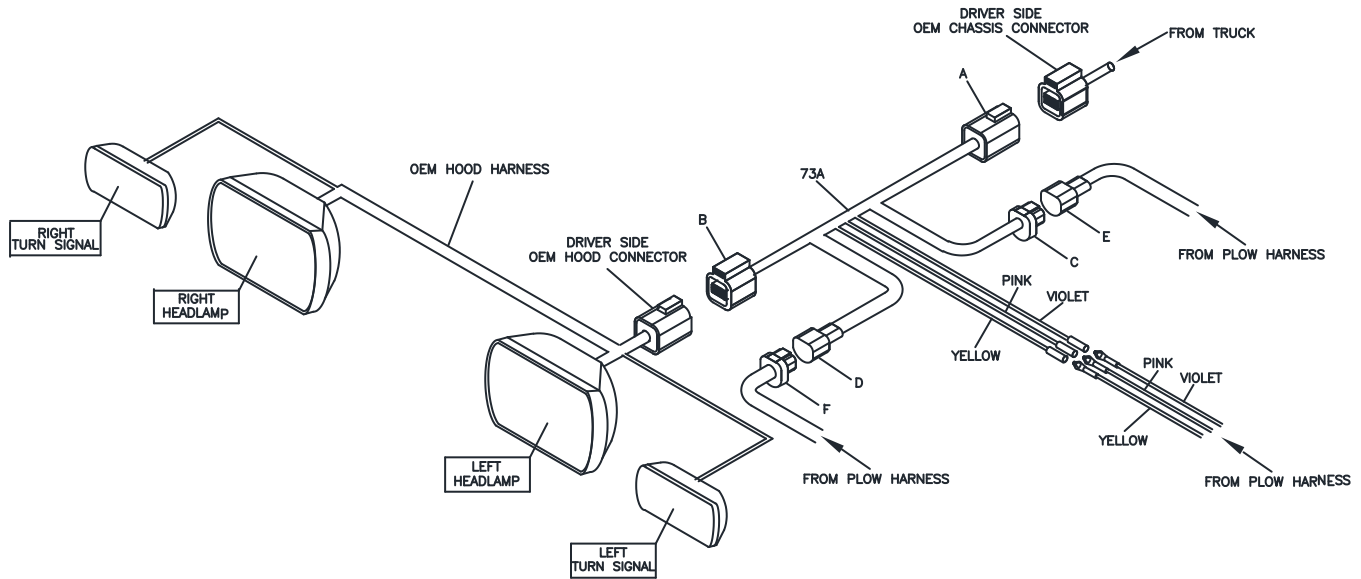


## MSC06409 Headlight Adapter Installation Procedure

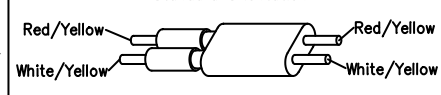
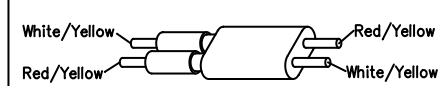


**Figure 1.** Ford F-650 & F-750 Headlight Adapter Installation

G10858

This Installation Procedure is for 2000 - 2015 Ford F-650 & F-750 trucks.

1. Locate and disconnect vehicle hood harness on Driver Side of vehicle.
2. Connect plug (A) of Headlight Adapter (73A) into the vehicle driver side OEM chassis connector.
3. Connect plug (B) of Headlight Adapter (73A) into the vehicle driver side OEM hood connector.
4. Connect blue plastic connector (C) of Headlight Adapter (73A) into driver side black rubber connector (E) from Plow Harness.
5. Connect black rubber connector (D) of Headlight Adapter (73A) into driver side blue plastic connector (F) from Plow Harness.
6. Dielectric grease and secure the Passenger Side Black and Blue plow wiring harness connectors, they will not be used. Do not plug the connectors together.

Use Standard Orientation For: *All Ford Models *All 1988 & Newer GM Models *All Dodge Models with 4 Headlight System *All 2003 & Newer Dodge Models	Standard Orientation 
Use Reverse Orientation For: *1994 - 2002 Dodge Models with 2 Headlight System (9004 Bulb) *1987 & Older GM Models with 4 Headlight System	Reverse Orientation 

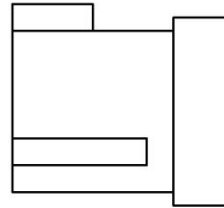
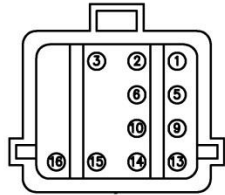
**Figure 2.** Vehicle Option Connector

G10202

7. Connect Pink, Violet, and Yellow Headlight Adapter (73A) female bullet connectors to the matching Pink, Violet, and Yellow male bullet connectors on plow harness.
8. Locate vehicle option connector. Align the connector so that the wire colors are positioned to match the vehicle it is installed on. This is illustrated in Figure 2.

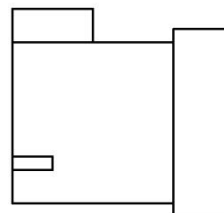
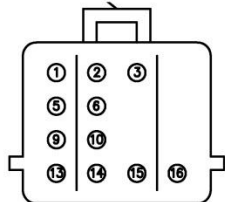
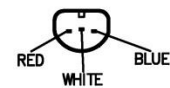
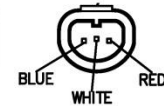
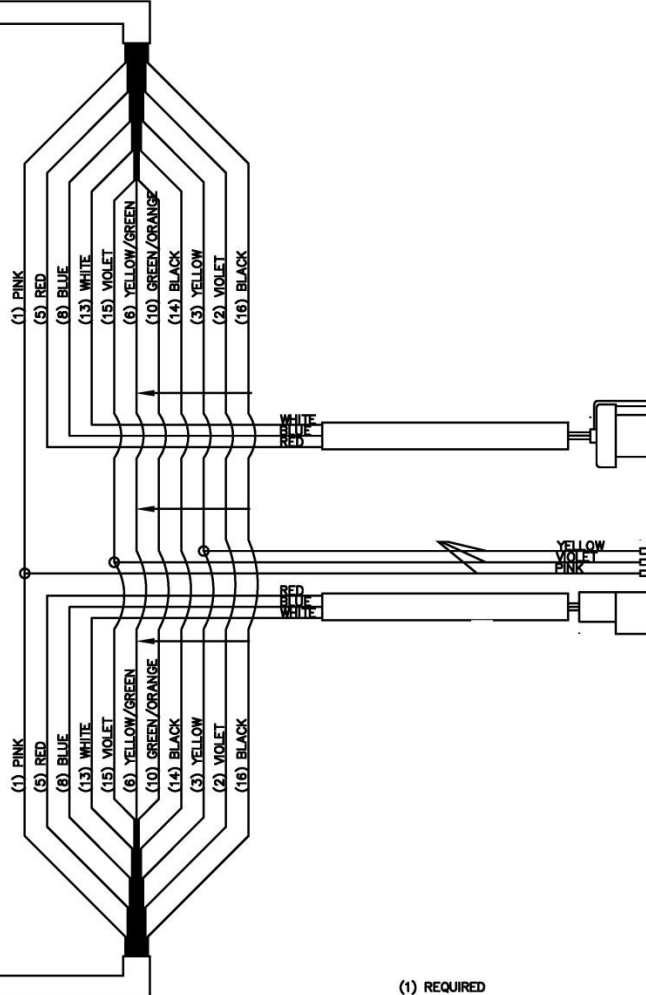
# MSC06409 – 13-Pin headlight Adapter

## Ford F650/750



### PIN WIRE COLOR LEGEND

- 1. PINK
- 2. VIOLET
- 3. YELLOW
- 4. (OPEN)
- 5. RED
- 6. YELLOW/GREEN
- 7. (OPEN)
- 8. (OPEN)
- 9. BLUE
- 10. GREEN/ORANGE
- 11. (OPEN)
- 12. (OPEN)
- 13. WHITE
- 14. BLACK
- 15. VIOLET
- 16. BLACK



(1) REQUIRED