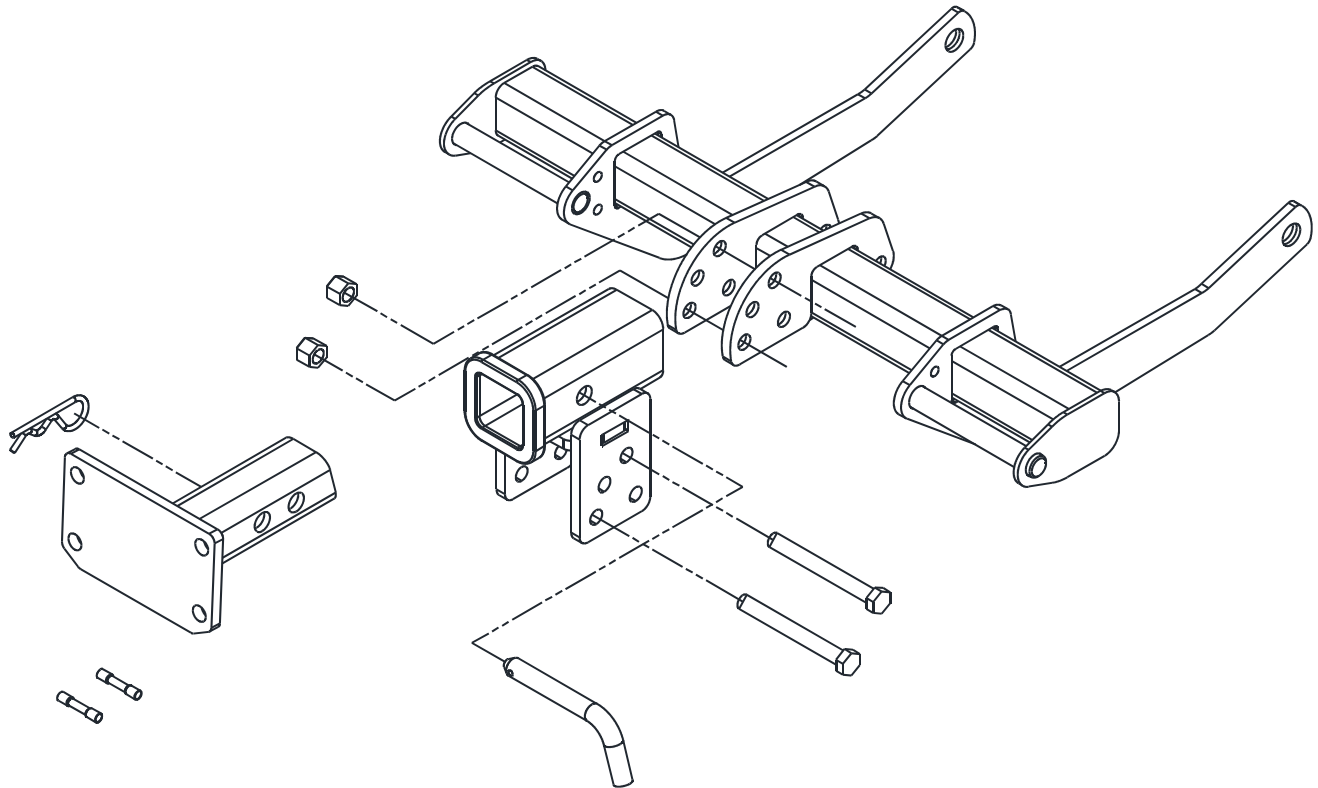


GROUNDS MASTER RECEIVER TUBE TGS04993



The procedure outlined below is used to wire the GM 360.

1. After the Vehicle side wire harness TGS06085 has been routed, trim the brown and white wires to the appropriate length.
2. Using the two supplied Heat Shrink Butt Connectors MSC13453, splice the molded rubber connector back into the wire harness.