

MSC09346 Headlight Adapter Installation Procedure for 2013+ RAM ¾ & 1 Ton Premium Headlights

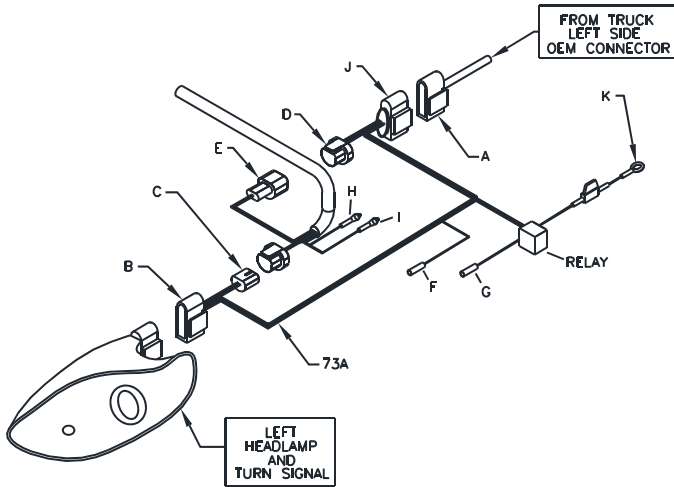


Figure 1. Driver Side Single Connections G10488

Note: This installation Procedure is for 2013+ RAM ¾ & 1 ton trucks with Premium Headlights.

1. Disconnect OEM Headlight Connector Plug (A) from headlight connector.
2. Insert Fourteen Pin Connector (B) of Headlight Adapter (73A) into headlight connector.
3. Connect Black Rubber Female Socket (C) of Headlight Adapter (73A) into driver side of plow wiring harness.
4. Connect the Blue Sealed Beam Connector (D) of Headlight Adapter (73A) into Black Rubber Female Socket (E) on driver side plow wiring harness.

5. Connect Opposite End (J) of Headlight Adapter (73A) into OEM Wiring Harness (A).
6. Connect Fused Eyelet (K) to battery power source.
7. Mount Relay to truck in easily accessible upright position.
8. Connect Female Bullet (F) Yellow Wire from headlight adapter (73A) to Male Bullet (H) Yellow Wire on driver side plow wiring harness.
9. Connect Female Bullet (G) Violet Wire from Headlight Adapter (73A) to Male Bullet (I) Violet Wire on driver side plow wiring harness.
10. Repeat steps 1 through 7 on passenger side.
11. Connect Female Bullet (G) Violet Wire from Headlight Adapter (73A) to Male Bullet Pink Wire on passenger side plow wiring harness.
12. Grease, tuck, and secure Female Bullet (F) Yellow Wire from headlight adapter (73A) on passenger side.

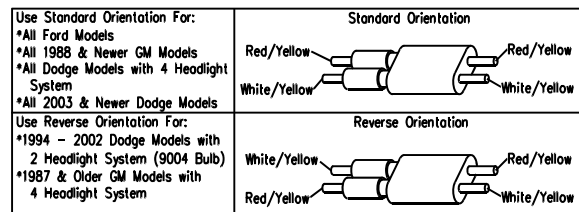


Figure 2. Vehicle Option Connector G10202

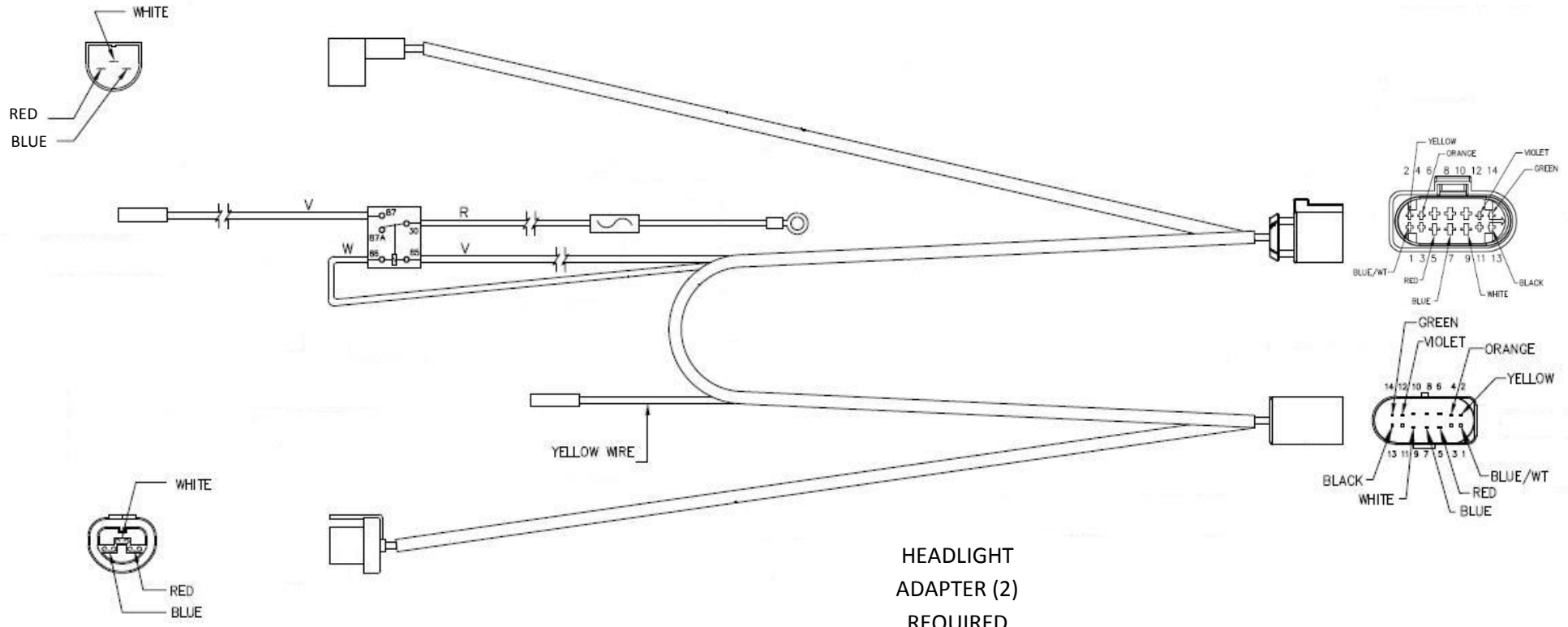
13. Locate vehicle option connector. Align the connector so that the wire colors are positioned in the standard orientation. This is illustrated in Figure 2.

MSC10923-0

13-Pin Headlight Adapter

2013 & Newer Ram

MSC09346



HEADLIGHT
ADAPTER (2)
REQUIRED