

BOSS PRODUCTS
A Division of Northern Star Industries, Inc.
P.O. Box 787 Iron Mountain MI 49801-0787
www.bosspow.com

**2005 & NEWER MITSUBISHI FUSO
RT3 UNDERCARRIAGE
MOUNTING INSTRUCTIONS
(PART NO. LTA09623)**

PUSHING THE EDGE

MSC09651-4

WARNING

Many newer trucks are now equipped with air bags. DO NOT under any circumstances disable, remove or relocate any sensors or other components related to the operation of the air bags.

Always follow the vehicle manufacturers' recommendations relating to snowplow installation. For recommended vehicle models refer to the BOSS Snowplow Application Chart and Selection Guide.

To comply with Federal Regulations and to assure a safe vehicle, the Front Gross Axle Weight Rating (FGAWR), Rear Gross Axle Weight Rating (RGAWR), and the Gross Vehicle Weight Rating (GAWR) must not be exceeded at any time.

Due to the variety of equipment that can be installed on this vehicle, it is necessary to verify that the Front Gross Axle Weight Rating (FGAWR), Rear Gross Axle Weight Rating (RGAWR), and the Gross Vehicle Weight Rating (GAWR) are not exceeded at any time. This may require weighing the vehicle and adding ballast as necessary. It may also limit payload capacity of the vehicle. It is the operator's responsibility to verify that these ratings are not exceeded.

2005 MITSUBISHI FUSO RT3 UNDERCARRIAGE MOUNTING INSTRUCTIONS

The mounting procedure outlined below covers 2005 Mitsubishi Fuso trucks. You will need to refer to the illustrations and familiarize yourself with each of the undercarriage components and their relative position to each other. Then proceed as follows:

1. Remove the six bolts securing the bumper brace to the frame and remove the front bumper. Remove tow hook on driver side, front bolt of cab bracket, and two bolts on the canister bracket on the passenger side. Remove all bolts that secure the front cross member and carefully lower. Position PUSH BEAM SUPPORT PLATES (62A & 62B) to the front frame rails of the truck. Using four Metric #10-1.25 x 35 mm GR8.8 Hex Head Bolts (A) fasten PUSH BEAM SUPPORT PLATES (62A & 62B) in place. Replace the canister bracket, front bolt on cab bracket, and tow hook. Use one ½-13x1-1/2 GR5 Hex Head Bolt (C), and one ½-13 Self Locking Nut (D) to fasten the front of PUSH BEAM SUPPORT PLATE (62B) to the frame rail of the truck. Fasteners should only be finger tight.

NOTE: Canister bracket should be drilled out to 7/16 to accept new hardware.

2. Fasten PUSH BEAM (62) to PUSH BEAM SUPPORT PLATES (62A & 62B) using eight ½-13x1-1/2 GR5 Hex Head Bolts (C) and eight ½-13 Self Locking Nuts (D) provided. Again, leave all fasteners only finger tight.

NOTE: The proper height adjustment for PUSH BEAM (62) is 15-½" from the ground to the center of PUSH BEAM pin-receiving hole (See Figure 2).

3. Position passenger side ANGLE BRACKET (75A) as shown in Figure 1 and attach to PUSH BEAM ASSEMBLY (62) using two ½-13x1-1/2 GR5 Hex Head Bolts (C) and two ½-13 Self Locking Nuts (D). Unbolt front brake line support brackets. After making sure PUSH BEAM ASSEMBLY (62) is level, raise the frame mount end of passenger side ANGLE

BRACKET (75A) up to the frame. Using a 9/16" bit, drill out the existing hole corresponding to front hole of passenger side ANGLE BRACKET (75A) and brake line support bracket hole. Reposition brake line support bracket to front hole of passenger side ANGLE BRACKET (75A) and attach both to frame using one ½-13x3-1/2 GR5 Hex Head Bolt (B) and one ½-13 Self Locking Nut (D) as provided.

NOTE: Use caution when drilling new or existing frame holes. Watch carefully for lines that run on the interior of the frame rails.

4. Position and secure driver side ANGLE BRACKET (75B) in the same manner as passenger side ANGLE BRACKET (75A).

5. Re-check that PUSH BEAM (62) is level. Finally tighten all fasteners to the torque specified in Figure 3.

6. Using a 9/16" bit, drill out corresponding driver side hole locations on truck frame. There should be two holes on the bottom of the driver side truck frame rail for driver side PUSH BEAM SUPPORT PLATE (62B) and three holes on the bottom of the passenger side truck frame rail for passenger side PUSH BEAM SUPPORT PLATE (62A). Using five ½-13x1-1/2 GR5 Hex Head Bolts (C), three ½-13 Self Locking Nuts (D), and two 1/2"-13 x 24" NUT BAR (99), replace the front cross member and finish fastening PUSH BEAM SUPPORT PLATES (62A & 62B) to frame. Using a 9/16" bit, drill remaining hole on each of the frame mount ends of ANGLE BRACKETS (75A & 75B) . Finish fastening ANGLE BRACKETS (75A & 75B) to frame using two ½-13x3-1/2 GR5 Hex Head Bolts (B) and two ½-13 Self Locking Nuts (D) as provided.

NOTE: The holes in the front cross member that correspond to the mounting holes in PUSH BEAM SUPPORT PLATES (62A & 62B) should be drilled out to 9/16" to accept new hardware. A spacer has been provided for the passenger side of the cross member.

7. Re-Install the bumper using the six bolts and nuts removed in step 1. Tighten all fasteners to the torque specified in Figure 3.

8. With all undercarriage parts in place, securely fasten all mounting hardware. It is important that all fasteners be properly torqued (see Fig. 3) to assure a safe operating plow. Re-tighten all fasteners after 2 hours of plowing.

NOTE: When installing HEADLIGHT ADAPTER MSC09702, refer to HEADLIGHT ADAPTER MANUAL MSC09674 for proper installation procedures.

2005 MITSUBISHI FUSO RT3 UNDERCARRIAGE INSTALLATION PROCEDURE

REF. NO.	DESCRIPTION	PART NO.	QTY.
62	Push Beam Assembly	PBA09624	1
62A	Push Beam Support Plate Passenger Side	PBA09630	1
62B	Push Beam Support Plate Driver Side	PBA09627	1
75A	Angle Bracket Passenger Side	LTA09642	1
75B	Angle Bracket Driver Side	LTA09643	1
99	Nut Bar ,1/2"-13 X 24"	LTA05391	2
100	Push Beam Support Plate Spacer	PBA09661	1
	FASTENER KIT, 2005 MITSUBISHI FUSO	HDW09650	1

Includes:

A	Metric #10-1.25 X 35mm Hex Head Bolt GR8.8 ZN	HDW09652	4
B	HHCS, 1/2"-13 X 3-1/2" Hex Head Bolt GR5 ZN	HDW01779	4
C	HHCS, 1/2"-13 X 1-1/2" Hex Head Bolt GR5 ZN	HDW01728	18
D	NUT, 1/2"-13, Hex Head Self Locking Nut, GR5 ZN	HDW01748	20
E	1/2" Split Lock Washer, ZN	HDW01732	2

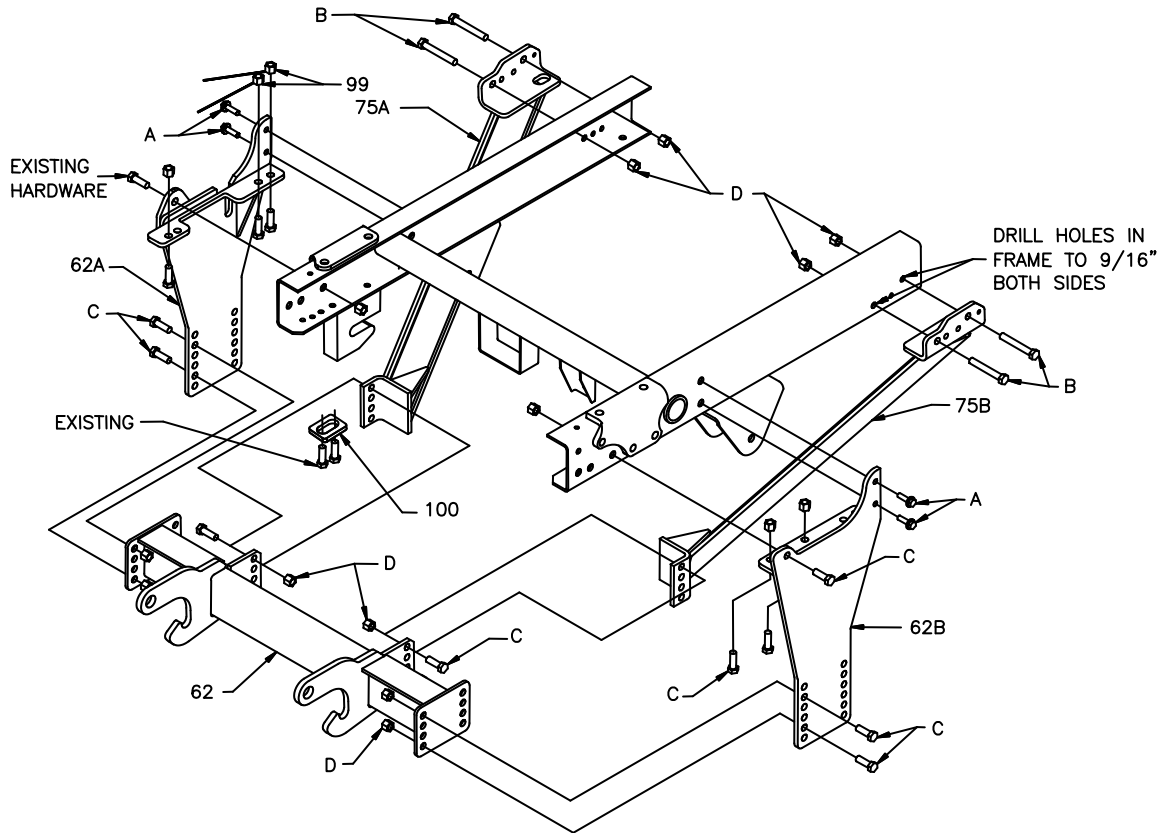


Figure 1

G10428

RECOMMENDED PUSHBEAM HEIGHT

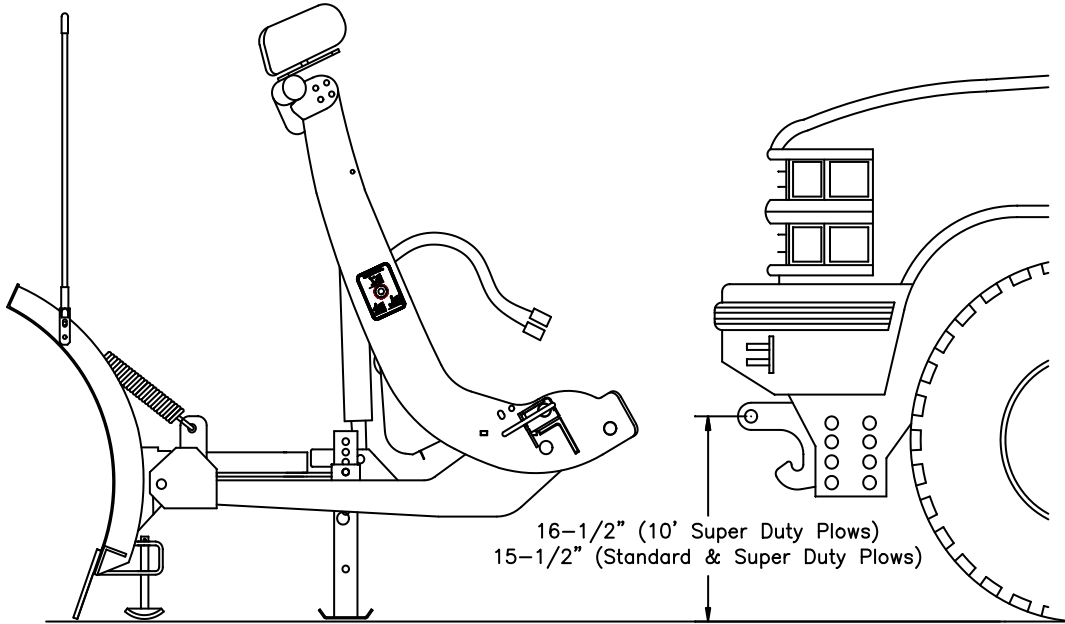


Figure 2

G10155

GUIDE TO RECOMMENDED ASSEMBLY TORQUE



DIAMETER / PITCH	GRADE 5	GRADE 8	GRADE 8.8	GRADE 10.9
1/4-20	6	9		
5/16-18	14	19		
3/8-16	23	33		
7/16-14	38	53		
1/2-13	56	80		
9/16-12	82	116		
5/8-11	113	159		
3/4-10	201	283		
M10 X 1.25			36	
M10 X 1.5				49
M12 X 1.75				71
M14 X 2.0				80

ALL TORQUE VALUES ARE IN FOOT-POUNDS (FT.-LB.)

Figure 3

G10410

* The torque values listed above are based on dry, coated bolts, variables such as oil, or other lubrications may appreciably alter these values and must be taken into consideration.

NOTE: IT IS IMPORTANT THAT ALL FASTENERS BE PROPERLY TORQUED TO ASSURE A SAFE OPERATING PLOW. RE-TIGHTEN ALL FASTENERS AFTER 2 HOURS OF PLOWING.