



---

A DIV. OF NORTHERN STAR INDUSTRIES, INC.  
P.O. BOX 788 IRON MOUNTAIN, MICHIGAN 49801

## **Snowplow Sight System Installation Instructions**

**Kit Number:  
MSC09644**

***DRIVEN TO BE THE BEST***

MSC09656-0

# Snowplow Sight System Installation Instructions

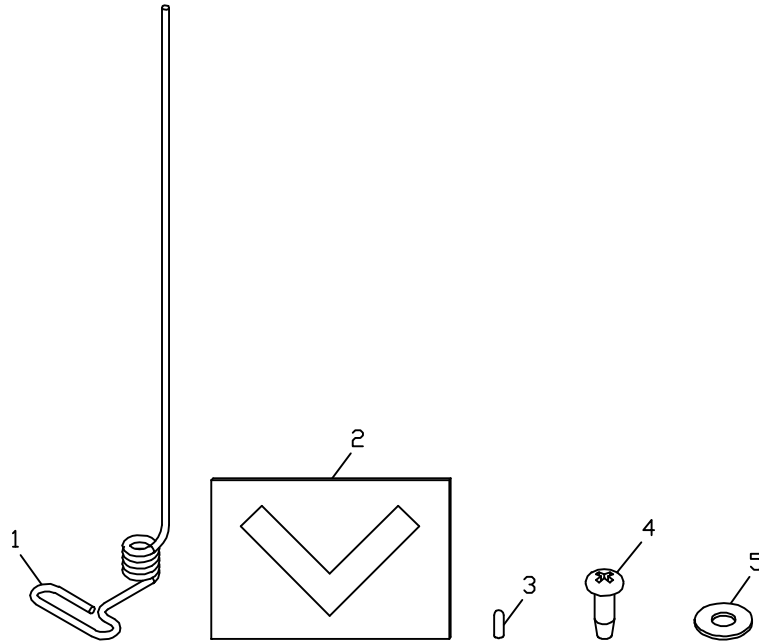


Figure 1. Snowplow Sight System kit contents

G10368

ITEM #	QUANTITY	PART #	DESCRIPTION
1	1	MSC09653	SIGHT PIN
2	2	MSC09654	SIGHT DECAL
3	1	MSC09655	SIGHT CAP
4	2	HDW09559	SCREW, 1/4-20 X 3/4, SELF-TAPPING, YZN
5	2	HDW01750	WASHER, 1/4 FLAT, YZN

**Note:** This manual is to be used for installation of the BOSS Snowplow Sight System. This sight system will help you align the truck and plow during attachment.

1. Begin by aligning pushbeam with coupler. Do not attach plow to truck. The coupler should remain in the unattached, down position.
2. Sit inside truck in a normal driving position. Locate a spot for Sight Pin (1) on truck hood directly behind the plow driver side headlight. See Figure 2.
3. Use a piece of tape to temporarily attach Sight Pin (1) to truck grille or underside of truck hood at the spot you located in the previous step.
4. Use a piece of tape to attach Sight Decal (2) to back side of plow driver side headlight. The center "V" shape of Sight Decal (2) should be aligned with Sight Pin (1) when you are sitting in your normal driving position inside the truck.
5. Check alignment of Sight Pin (1) and Sight Decal (2) from inside truck. Adjust as necessary.

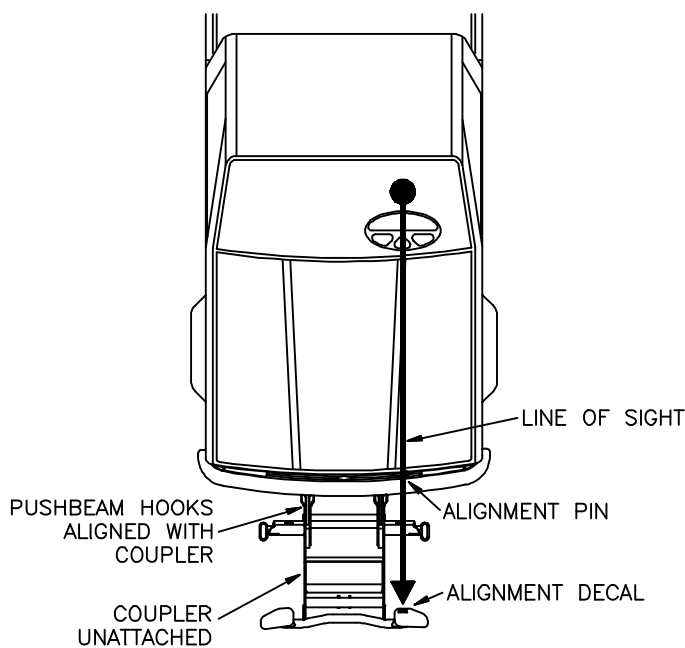


Figure 2. Alignment System Locations

G10369

**Note:** Before permanently attaching Sight Pin (1) and Sight Decal (2) it is recommended that you try backing the truck away from the plow and aligning the plow and truck using the temporarily installed Boss Snowplow Sight System. Once Sight Decal (2) has been applied to the headlight, you will **NOT** be able to move it.

6. When you have finished your adjustments, drill a 3/16" hole on both ends of Sight Pin (1) attachment loop in truck grille or underside of truck hood. Secure with two 1/4"-20 X 3/4" Self-Tapping Screws (4) and two 1/4" Flat Washers (5).
7. Mark current location of Sight Decal (2) on back of plow headlight.
8. After marking the location of Sight Decal (2), remove Sight Decal (2) and wash the area beneath it with a wet cloth. Be sure the area is completely dry before proceeding.
9. Remove backing of Sight Decal (2) and apply to back of plow headlight.
10. Trim Sight Pin (1) to a preferred height.
11. Install Sight Cap (3) on Sight Pin (1).