

Installation Procedure for: MSC09003, MSC09044, MSC07313, MSC07323, & MSC09142 Headlight Adapters

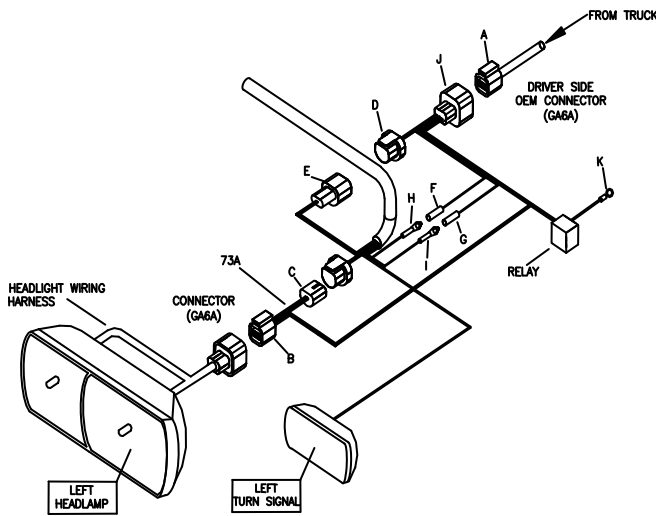


Figure 1. Driver Side Single Connections G10488

Application	Adapter
2007-2013 GM Light Duty Trucks	MSC09003
2007-2014 GM Heavy Duty Trucks	MSC09003
2014-2015 GM Light Duty Trucks	MSC09044
2015+ GM Heavy Duty Trucks	MSC09044
2015+ Colorado/Canyon	MSC07313
2015+ GM SUVs	MSC07323
2016+ GM Light Duty Trucks	MSC09142

1. Disconnect OEM Headlight Connector Plug (A) from headlight wire harness.
2. Insert Connector (B) of Headlight Adapter (73A) into headlight wire harness.
3. Connect Black Rubber Female Socket (C) of Headlight Adapter (73A) into driver side of plow wiring harness.
4. Connect the Blue Sealed Beam Connector (D) of Headlight Adapter (73A) into Black Rubber Female Socket (E) on driver side plow wiring harness.

5. Attach Connector (J) of Headlight Adapter (73A) into OEM Wiring Harness (A).
6. Connect Fused Eyelet (K) to battery power source.
7. Mount Relay to truck in easily accessible upright position.
8. Connect Female Bullet (F) Yellow Wire from headlight adapter (73A) to Male Bullet (H) Yellow Wire on driver side plow wiring harness.
9. Connect Female Bullet (G) Violet Wire from Headlight Adapter (73A) to Male Bullet (I) Violet Wire on driver side plow wiring harness.
10. Repeat steps 1 through 7 on passenger side.
11. Connect Female Bullet (G) Violet Wire from Headlight Adapter (73A) to Male Bullet Pink Wire on passenger side plow wiring harness.
12. Grease, tuck, and secure Female Bullet (F) Yellow Wire from headlight adapter (73A) on passenger side.

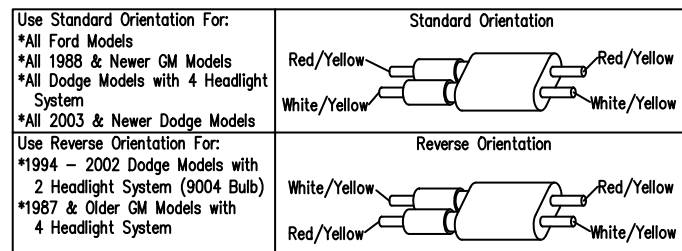


Figure 2. Vehicle Option Connector G10202

13. Locate vehicle option connector. Align the connector so that the wire colors are positioned in the standard orientation. This is illustrated in Figure 2.