

13-Pin Headlight Adapter Kit Mitsubishi 2005 & Newer

MSC09702

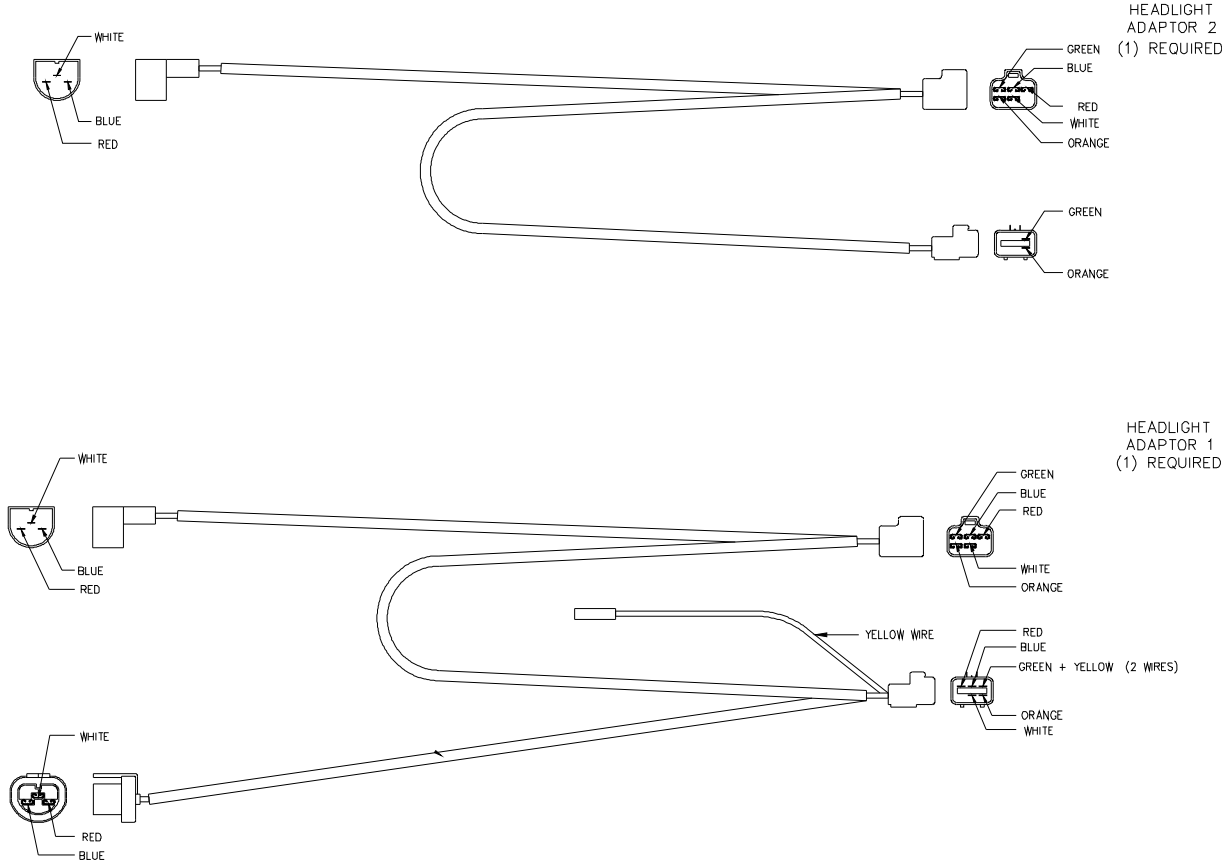


Figure 1. Headlight Adapter kit MSC09702

MSC09702 Headlight Adapter Installation Procedure (2 Headlight System)

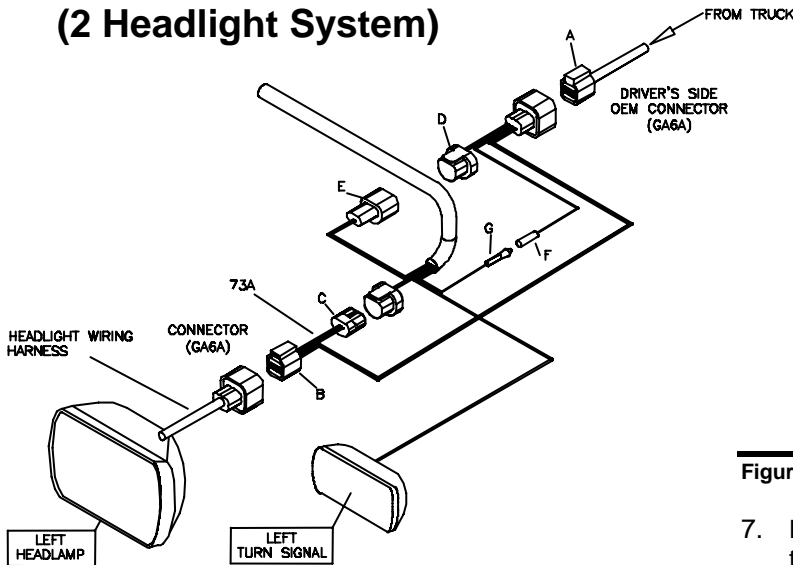


Figure 1. Driver's Side Single Connections G10372

Note: This installation Procedure is for Mitsubishi FG 2005 and newer trucks with 2 headlight systems.

1. Disconnect OEM Headlight Connector Plug (A) from the headlight wire harness.
2. Insert the Five Pin Connector (B) of Headlight Adapter (73A) into the headlight wire harness.
3. Connect the Black Rubber Female Socket (C) of Headlight Adapter (73A) into the plow wiring harness.
4. Connect the Blue Sealed Beam Connector (D) of Headlight Adapter (73A) into Black Rubber Female Socket (E) on the driver's side plow wiring harness.
5. Connect the opposite end of Headlight Adapter (73A) into the OEM Wiring Harness (A).
6. Connect female bullet (F) from headlight adapter (73A) to male bullet (G) yellow wire on driver side plow wiring harness.

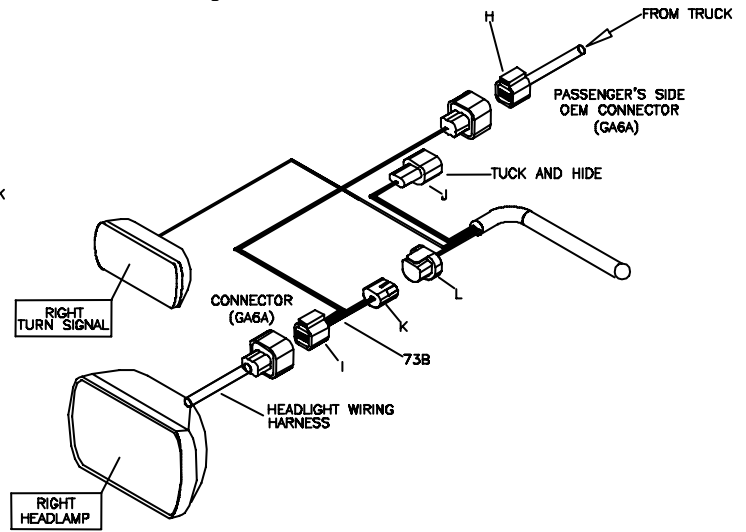


Figure 2. Passenger's Side Single Connections G10373

7. Disconnect OEM Headlight Connector Plug (H) from the headlight wiring harness.
8. Insert the Five Pin Connector (I) of Headlight Adapter (73B) into the headlight wiring harness.
9. Grease, tuck, and secure Black Rubber Female Socket (J) on passenger side wiring harness. This connector is not used.
10. Connect the Black Rubber Female Socket (K) of Headlight Adapter (73B) to the Blue Sealed Beam Connector (L) on the passenger side plow wiring harness.
11. Connect the opposite end of headlight adapter (73B) into the OEM wiring harness (H).

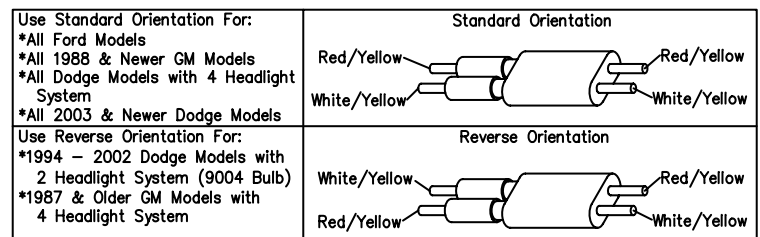


Figure 3. Vehicle Option Connector G10202

12. Locate vehicle option connector. Align the connector so that the wire colors are positioned in the standard orientation. This is illustrated in Figure 3.