

MSC16285 Headlight Adapter Installation Procedure

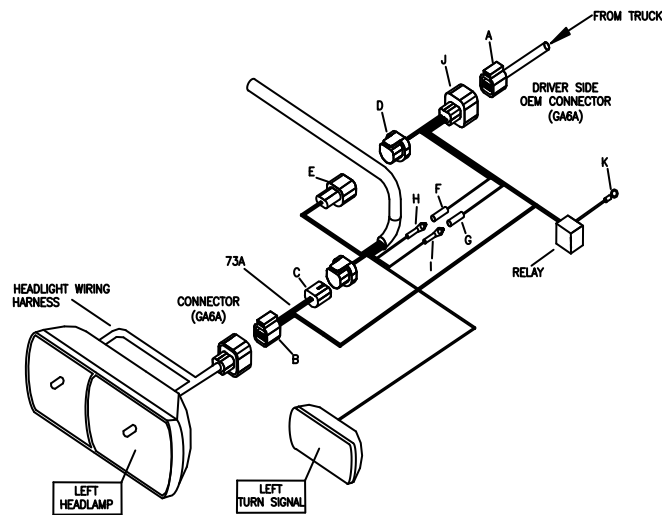


Figure 1. Driver Side Single Connections G10488

Note: This installation Procedure is for 2019 and newer Chevrolet 4500 HD, 5500 HD, & 6500 HD vehicles.

1. Disconnect OEM Headlight Connector Plug (A) from headlight wire harness.
2. Insert Connector (B) of Headlight Adapter (73A) into headlight wire harness.
3. Connect Black Rubber Female Socket (C) of Headlight Adapter (73A) into driver side of plow wiring harness.
4. Connect the Blue Sealed Beam Connector (D) of Headlight Adapter (73A) into Black Rubber Female Socket (E) on driver side plow wiring harness.

5. Attach Connector (J) of Headlight Adapter (73A) into OEM Wiring Harness (A).
6. Connect Fused Eyelet (K) to battery power source.
7. Mount Relay to truck in easily accessible upright position.
8. Connect Female Bullet (F) Yellow Wire from headlight adapter (73A) to Male Bullet (H) Yellow Wire on driver side plow wiring harness.
9. Connect Female Bullet (G) Violet Wire from Headlight Adapter (73A) to Male Bullet (I) Violet Wire on driver side plow wiring harness.
10. Repeat steps 1 through 7 on passenger side.
11. Connect Female Bullet (G) Violet Wire from Headlight Adapter (73A) to Male Bullet Pink Wire on passenger side plow wiring harness.
12. Grease, tuck, and secure Female Bullet (F) Yellow Wire from headlight adapter (73A) on passenger side.

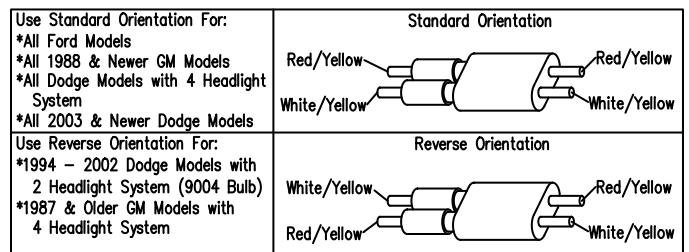


Figure 2. Vehicle Option Connector G10202

13. Locate vehicle option connector. Align the connector so that the wire colors are positioned in the standard orientation. This is illustrated in Figure 2.