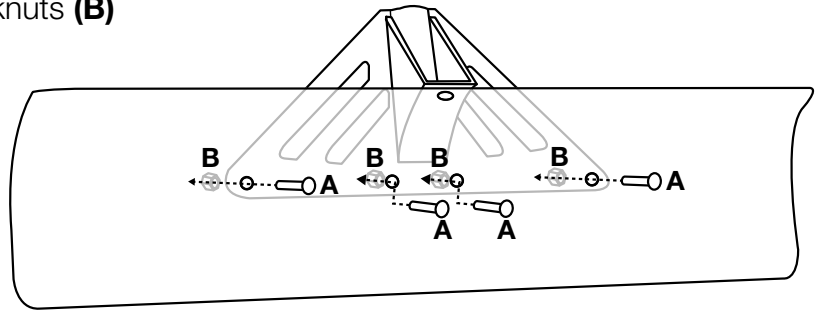
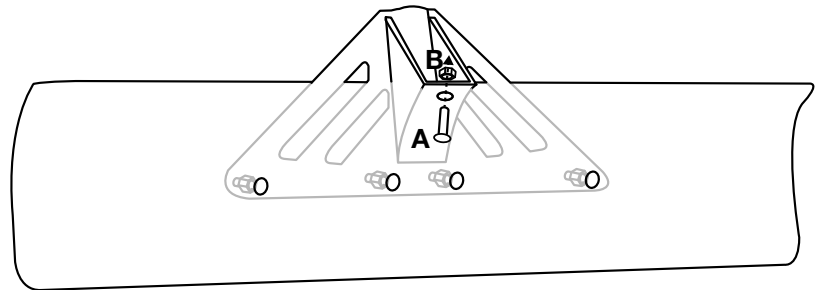


THE SNOW PLOW SNOW PUSHER BOSS EDITION ASSEMBLY INSTRUCTIONS

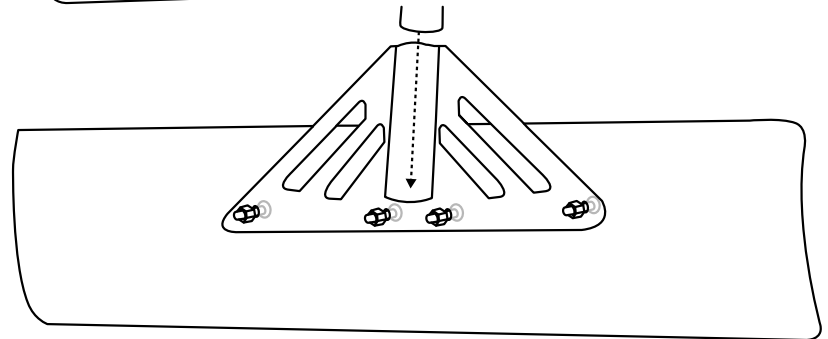
1. Attach blade to TUFFBRACE by Inserting 4 hex bolts (1/4"x3/4") **(A)** into the 4 holes in the middle of the blade and fasten to TUFFBRACE with 4 locknuts **(B)**



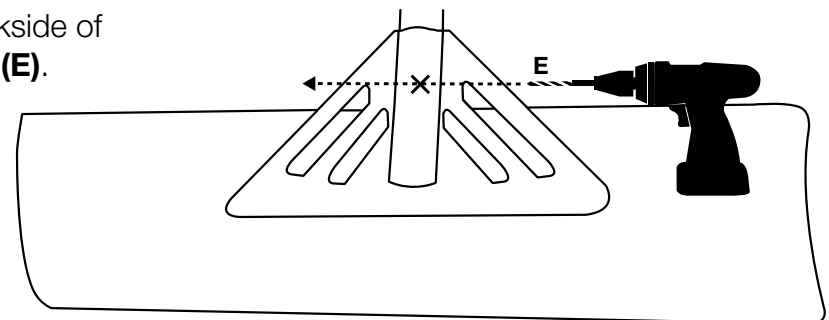
2. Insert remaining hex bolt **(A)** in the top blade hole and fasten to TUFFBRACE with locknut **(B)**.



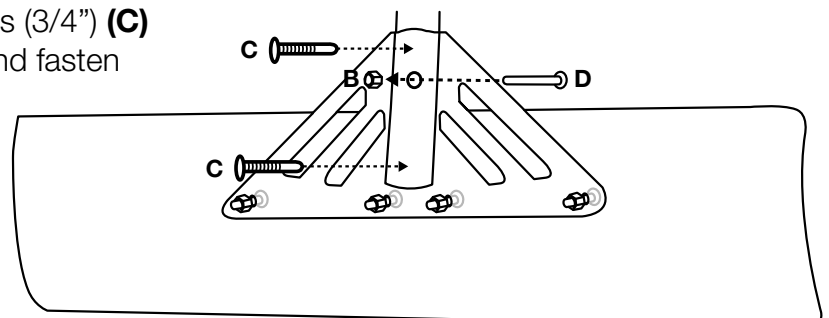
3. Insert handle into TUFFBRACE.



4. Drill a 1/4" hole in middle dimple on the backside of the TUFFBRACE with provided 1/4" Drill Bit **(E)**.

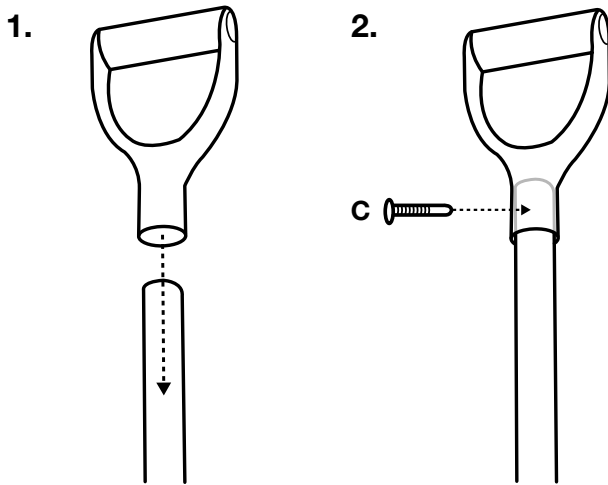


5. Secure handle to TUFFBRACE with 2 screws (3/4") **(C)**
Insert Hex Bolt (1/4"x2") **(D)** in drilled hole and fasten with locknut **(B)**.



NOTE: Screw the two self tapping screws in the dimple sections on the back of the TUFFBRACE handle.

6. D-Grip should be parallel with blade - align by placing shovel on floor, TUFFBRACE side up, before inserting self tapping screw (3/4") **(C)** into the handle.



Final Assembly

HARDWARE PACK INCLUDES

- A. Hex bolts (1/4"x3/4") x 5
- B. Locknut x 6
- C. Screws 3/4" x 3
- D. Hex Bolt (1/4"x2" x 1
- E. 1/4" Drill Bit

