

Light Adapter Kit

2022 and After Chevrolet and GMC 1500

2024 and After Chevrolet and GMC 2500 and 3500

Part No. MSC28210

Part No. MSC28250

Installation Instructions

⚠ DANGER

Vehicle engines contain moving parts, which can become extremely hot and are capable of causing severe burns and serious bodily harm.

Shut off the engine and allow it sufficient time to cool down before installing this kit.

⚠ DANGER

Vehicle batteries can cause dangerous electrical shocks that could lead to severe burns or death.

Disconnect your battery before installing this kit.

Determine the left and right sides of the machine from the normal operating position.

1. Remove the keys from the vehicle and disconnect the wire harness plug from the back of the vehicle headlights.
2. Mount the relay to the vehicle in an easily accessible location.

Note: Ensure that the relay is mounted upright.

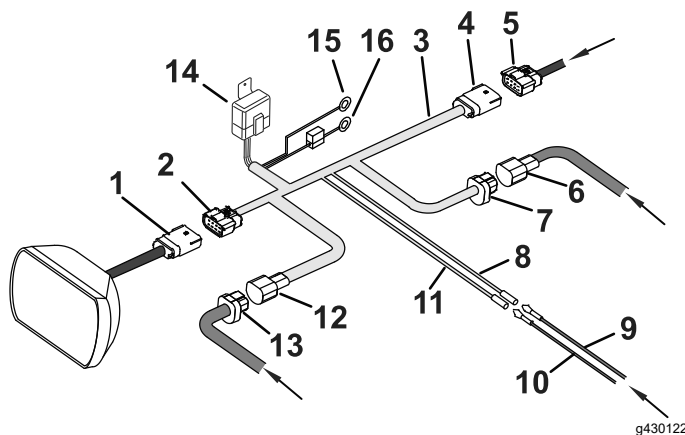
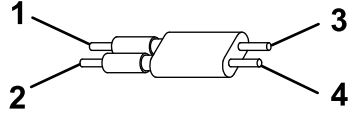
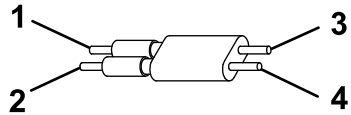


Figure 1

- | | |
|--|---|
| 1. Vehicle headlight plug | 9. Violet/Pink bullet plug male (plow wire harness) |
| 2. 12-pin square headlight adapter plug (female) | 10. Yellow bullet plug male (plow wire harness) |
| 3. Headlight adapter harness | 11. Yellow bullet plug female (headlight adapter harness) |
| 4. 12-pin square headlight adapter plug (male) | 12. Black rubber plug (headlight adapter harness) |
| 5. Vehicle headlight harness | 13. Blue plug (plow wire harness) |
| 6. Black plug (plow wire harness) | 14. Relay |
| 7. Blue rounded plug (headlight adapter harness) | 15. Eyelet connector (negative battery terminal) |
| 8. Violet bullet plug female (headlight adapter harness) | 16. Fused eyelet connector (positive battery terminal) |

Headlight	Connector	From harness	To connector	On the
Both	12-pin square headlight adapter plug female (2)	Headlight adapter (3)	Vehicle headlight plug (1)	Headlight
Both	Black rubber female (12)	Headlight adapter (3)	Blue plug (13)	Plow wire harness
Both	Blue rounded plug (7)	Headlight adapter (3)	Black plug (6)	Plow wire harness
Both	12-pin square headlight adapter plug male (4)	Headlight adapter (3)	Vehicle headlight connector (5)	Vehicle harness
Both	Eyelet connector (15)	Headlight adapter (3)	Negative (-) battery terminal	Vehicle battery
Both	Fused eyelet connector (16)	Headlight adapter (3)	Positive (+) battery terminal	Vehicle battery
Left	Yellow bullet plug female (11)	Headlight adapter (3)	Yellow bullet plug male (10)	Left side plow wire harness
Left	Violet bullet plug female (8)	Headlight adapter (3)	Violet bullet plug male (9)	Left side plow wire harness
Right	Violet bullet plug female (8)	Headlight adapter (3)	Pink bullet plug male (9)	Right side plow wire harness
Right	Yellow bullet plug female (11)	Headlight adapter (3)	Grease, tuck, and secure (connector not used)	

Locate the vehicle option connector and align it in the standard orientation as shown below:

Orientation	Wire Colors
Standard orientation	 <p>1. Red/yellow 2. White/yellow 3. Red/yellow 4. White/yellow</p>
Reverse orientation	 <p>1. White/yellow 2. Red/yellow 3. Red/yellow 4. White/yellow</p>

- 1 - WHITE - GROUND
- 2 - GREEN - BATTERY 12V+
- 3 - RED - LOW BEAM
- 4 - BLUE - HIGH BEAM
- 5 - ORANGE - DRL
- 6 - YELLOW - PARK
- 7 - VIOLET - TURN SIGNAL
- 8 - TAN - TURN SIGNAL FEEDBACK
- 9 - BLACK - ANIMATION LIGHTING
- 10 - PINK - OPPOSITE TURN SIGNAL
- 11 - EMPTY/PLUG
- 12 - EMPTY/PLUG

- 1 - WHITE - GROUND
- 2 - GREEN - BATTERY 12V+
- 3 - RED - LOW BEAM
- 4 - BLUE - HIGH BEAM
- 5 - ORANGE - DRL
- 6 - YELLOW - PARK
- 7 - VIOLET - TURN SIGNAL
- 8 - TAN - TURN SIGNAL FEEDBACK
- 9 - BLACK - ANIMATION LIGHTING
- 10 - PINK - OPPOSITE TURN SIGNAL
- 11 - EMPTY/PLUG
- 12 - EMPTY/PLUG

