

5

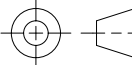
4

3

2

1

SEE ATTACHED AUTOCAD DRAWING

ECM 75720 POSTER REVISIONS		ML	03-24-20
RELEASE/CHANGE AUTHORIZATION NUMBER		DRAFTER	DATE
CONFIDENTIAL PROPERTY OF <b>TORO</b> <sup>®</sup> BLOOMINGTON, MINNESOTA	SIMILAR TO N/A		
	FINISH CLASS N/A		
SCALE 1.000	APPROX. WEIGHT 0.22 LB		
DRAWING CONFORMS TO ASME Y14.5M-1994	DRAFTER ML	CREATED 07-06-17	ORIGINATOR MM ORIGINATING LOCATION IRON MOUNTAIN
UNLESS OTHERWISE SPECIFIED		TITLE	
THIRD ANGLE PROJECTION 	ALL DIMENSIONS IN INCHES DIMENSIONAL LIMITS APPLY BEFORE COATING X.XX ± 0.03 X.XXX ± 0.015 ANGULAR ± 2.0°		
		HTX-V PARTS POSTER	
		SHEET 1 OF 1	DRAWING NO. SLS18851 REV C

C

B

A

CV

C

B

A

W  
M

5

4

3

2

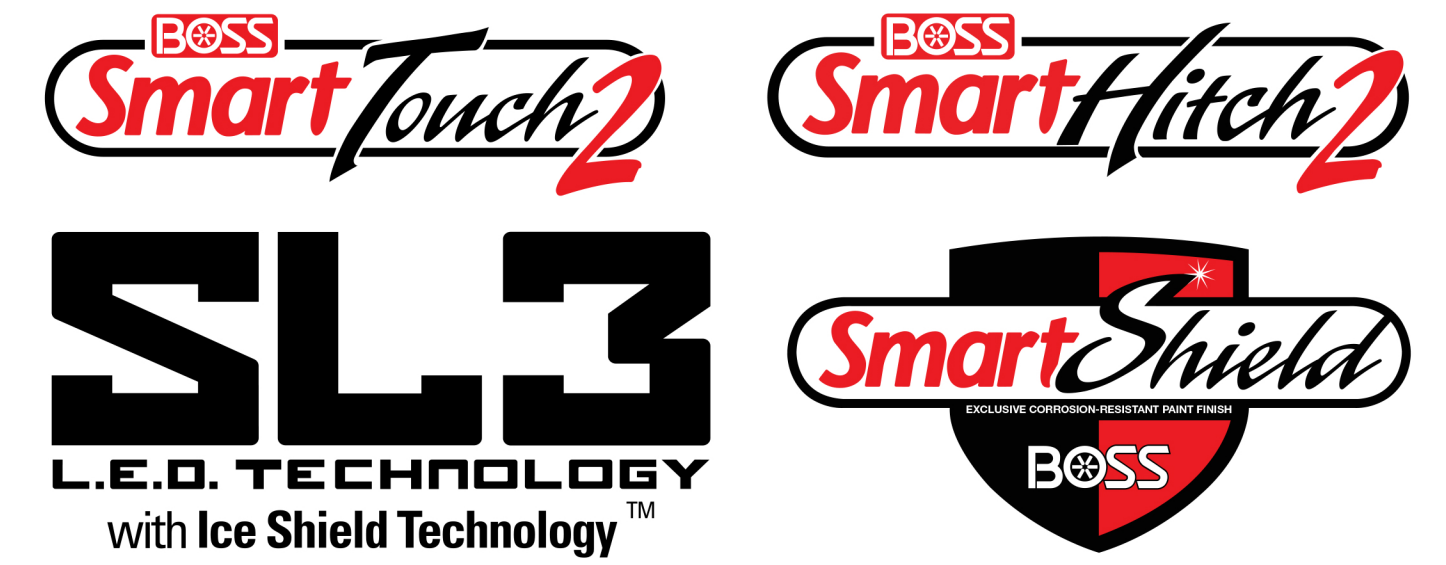


SNOWPLOW

# RT3 HTX V-BLADE SNOWPLOW

## PARTS EXPLOSION

### 2020 +



WELDMENTS		
1	Coupler Assembly w/Pins Only	CPA09598
2	Pushframe (RT3-V HTX)	TR18835-03
3	Center Section (RT3-V UTUV)	CHA13050-01
4	Blade Half Left, 76" RT3 Steel HTX-V	BAL18810
5	Blade Half Right, 76" RT3 Steel HTX-V	BAR18815

CUTTING EDGE		
6	Cutting Edge, Formed, Driver Side, 76" (HTX-V)	BAL18808-03
7	Cutting Edge, Formed, Passenger Side, 76" (HTX-V)	BAR18813-03
8	Carriage Bolt Set	BAX00096
8A	Includes: (10) Carriage Bolt 5/8" - 13 X 1-3/4" GR5	
8B	(10) Washer, 5/8" Hardened	
8C	(10) Nut, Oval Top Lock 5/8"	

PLOW COMPONENTS		
9	Horizontal Hinge Pin Kit (RT3-V UTUV)	MSC13092
9A	Includes: (1) Pin, Horizontal Threaded, UTV RT3	
9B	(1) Washer, 1 1/16" ID X 1-3/4" OD, YZN	
9C	(1) Jam Nut, 5/8" - 11 YZN	
10	Center Hinge Pin (RT3-V UTUV)	MSC13060
11	Bumper Stop (UTV)	CHA13040
11A	Includes: (1) Bottom Plate	
11B	(1) Bumper Stop	
11C	(2) Nut, Self-Locking 3/8" - 16 YZN	
12	Light Bar Assembly	LBA11111
13	Plow Shoe Assembly, Cast Iron	MSC01570
13A	Includes: (1) Quick Pin, 7/16"	
13B	(1) Plow Shoe (1" Shaft), Cast Iron	
13C	(2) Washer, 1" PL1	
13D	(1) Spacer, 1-1/2" Long	
14	Hydraulic Enclosure Cover	CPA07129
15	Spring, Trip	MSC01509
16	Blade Guide, Set of (2) w/Hardware	MSC01870
	Sport Duty Plows Require (2) Additional	
18	Hex Head Cap Screw, 1/2" - 13 X 1-1/2" Washer HD, Spinlock, Self-Tapping, GR5 YZN	CHA13059-01
19	Center Section Cover Plate (RT3-V UTUV)	HDW17303
	Tuf-Lok	

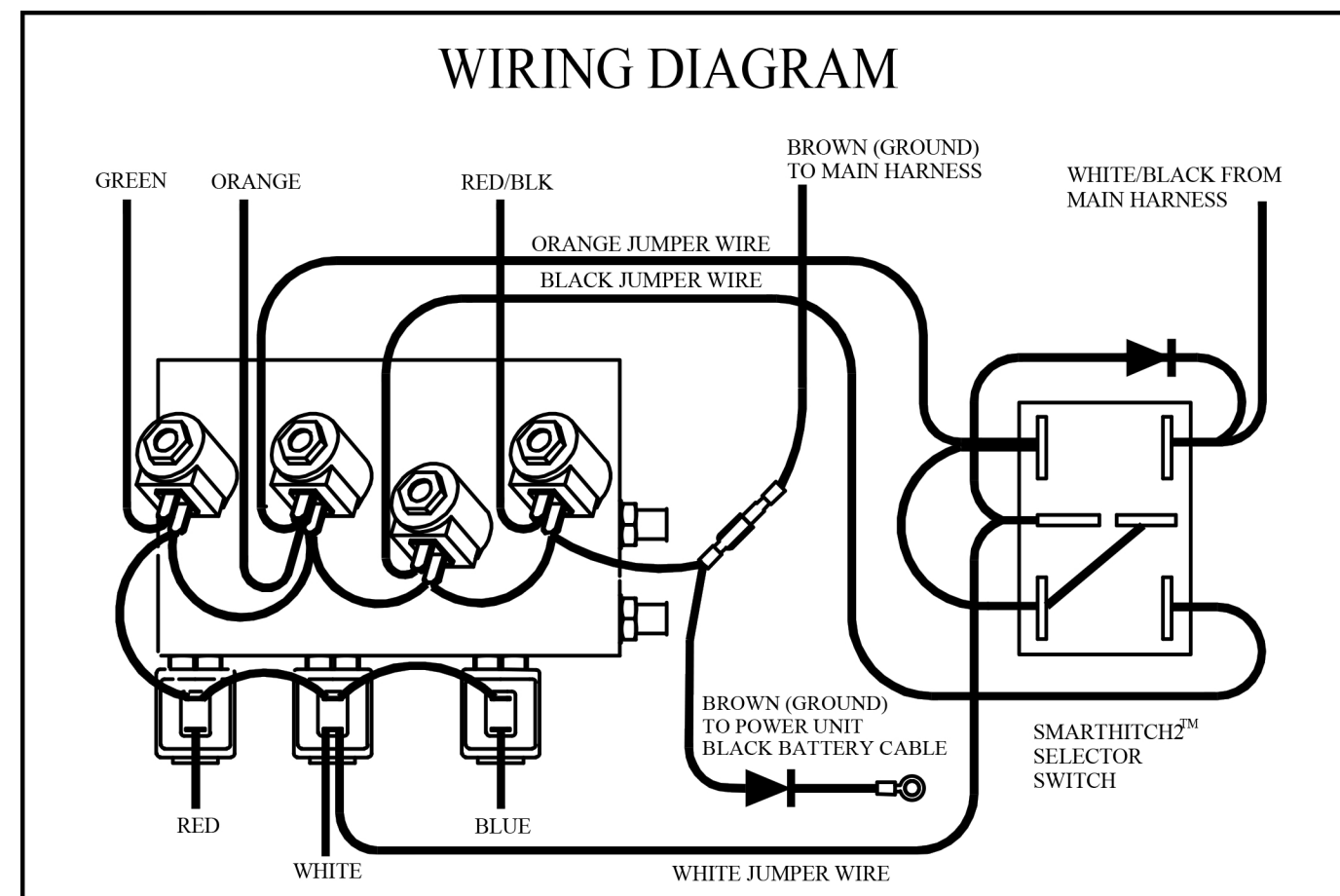
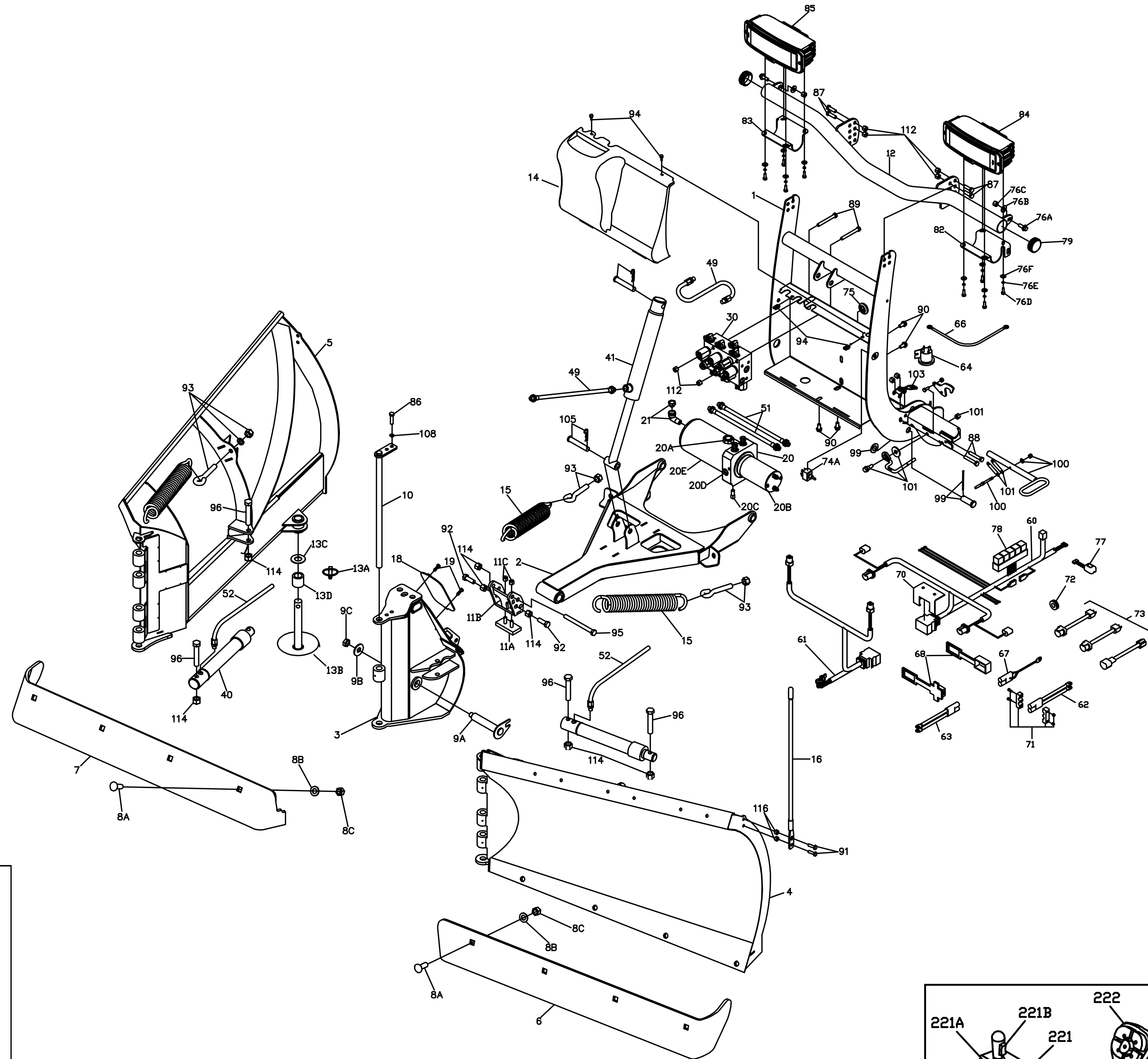
HYDRAULIC POWER UNIT		
20	Hydraulic Pump - Power Unit	HYD12239
	Includes the Following Commonly Ordered Parts	
20A	Hydraulic Pump Filler Cap	HYD01636
20B	Hydraulic Pump Motor	HYD12245
20C	Hydraulic Reservoir Drain Plug	HYD01712
20D	Relief Valve (2,000 PSI)	HYD09365
20E	Hydraulic Reservoir, 2 quart	HYD04814
	Seal Kit, Power Unit	HYD09366
21	Fill Cap and Elbow Kit	MSC05078

HYDRAULIC VALVE ASSEMBLY		
30	Hydraulic Valve Assembly with SmartHitch	HYD07123
	Includes the Following Commonly Ordered Parts	
30A	Hydraulic Valve, Lift/Lower Cartridge	HYD01637
30B	Hydraulic Valve, SmartHitch Attach	HYD07047
30C	Hydraulic Valve, Flow Control Cartridge	HYD07048
30D	Relief Valve, V-Flow (2,800 PSI)	HYD01639
30E	Check Valve	HYD01640
30F	Coil, Hydraulic Valve	HYD01638
30H	Nut, Coil	HYD07059
30K	Nut, Coil (SmartHitch Valve)	HYD07060
30L	On/Off Plug, 0.88" ID	HYD07108
30N	Not Included in HYD07123	
	Ground Strap, Power-V	MSC08850

CYLINDERS & CYLINDER SEAL KITS		
40	Hydraulic SmartLock Angle Cylinder	HYD18841
	Seal Kit for Hydraulic Angle Cylinder HYD18841	HYD18842
41	Hydraulic Lift Cylinder	HYD09440
	Seal Kit for Hydraulic Angle Cylinder HYD09440	HYD09441

HOSES & FITTINGS		
49	Hydraulic Hose (Lift) 1/4" X 18", (1/4" MNPT X SAE #6)	HYD01695
51	Hydraulic Hose (Power Unit to Manifold) 1/4" X 14", (3/8" ORB X 1/4" MNPT)	HYD09967
52	Hydraulic Hose (Angle) 3/8" X 40", (1/4" MNPT X 3/8" MNPT)	HYD07575
54	Hydraulic Swivel Fitting, 90 Degree (Manifold) (1/4" ORS X 1/4" FPS)	HYD01620

OPTIONS & ACCESSORIES		
	Black Touch-Up Spray Paint (12oz.)	MSC04036
	Black Touch-Up Spray Paint (Quart)	MSC04359
	Red Touch-Up Spray Paint (12oz.)	MSC04098
	Red Touch-Up Spray Paint (Quart)	MSC04358
	Dielectric Grease (1 oz.)	MSC13423
	Boss High Performance Hydraulic Fluid - Case (12 Quarts per)	HYD1704X001
	Emergency Parts Kit, RT3 V-Blade	MSC04298
	Plow Shoe Kit	MSC09588
	Sight System	MSC09644
	Ballast Retainer Kit	MSC09845
	Snow Deflector Kit	MSC04587B
	Urethane Edge Kit	MSC18237
	Back Drag Edge Kit	MSC06584

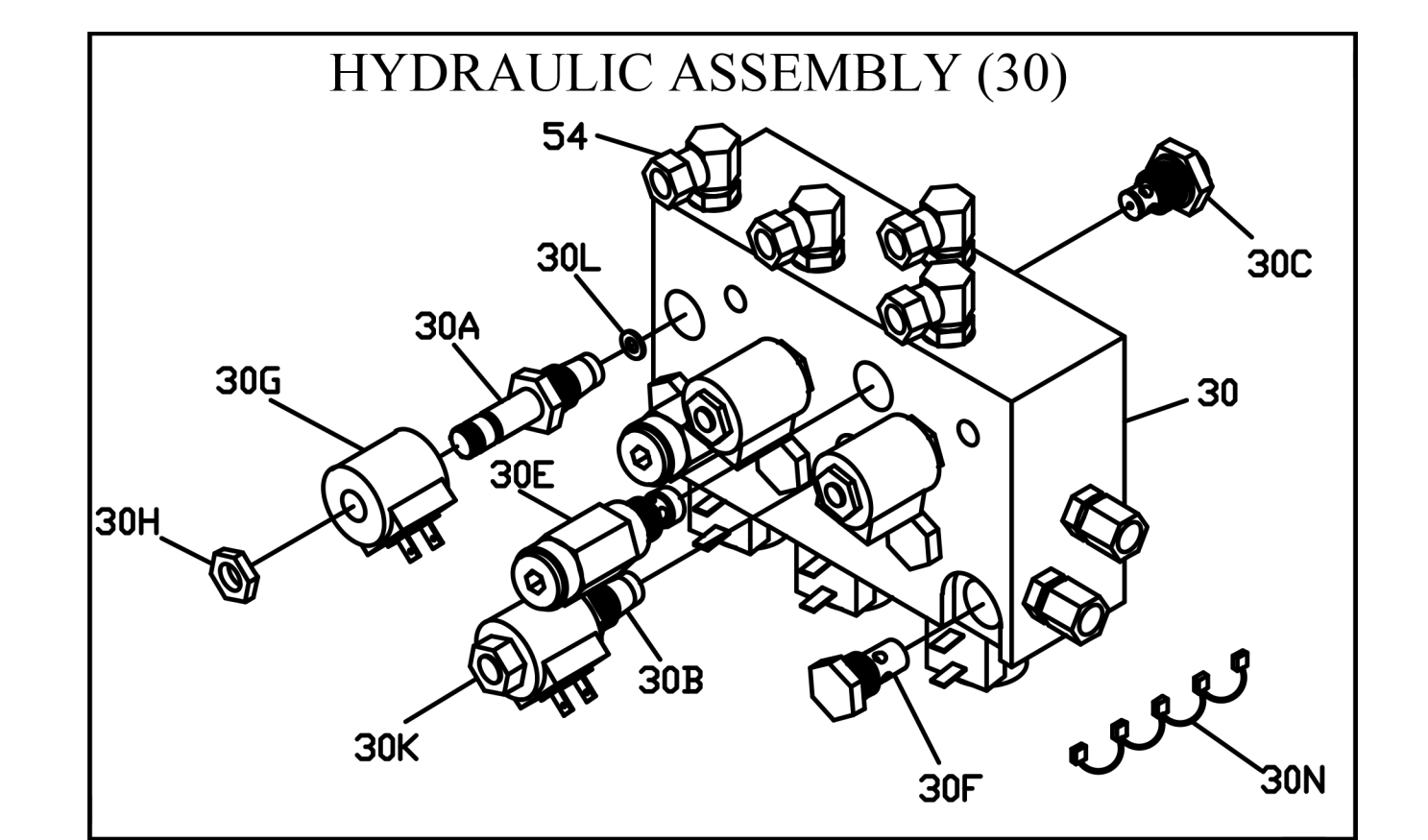


ELECTRICAL		
60	Light and Control Harness 128" (Vehicle Side) - 13 pin, Harness Only	MSC08001
61	Light and Control Harness 48" (Plow Side) - 13 pin, Harness Only, LED	MSC09417
62	Power/Ground Cable 90" (Vehicle Side)	HYD01684
63	Power/Ground Cable 36" (Plow Side)	HYD01690
64	Solenoid, Hydraulic Pump	HYD01633
66	Battery Cable, 2'	MSC03414
	Battery Cable, 72" (Optional)	MSC03465
67	Power/Ground Cable Dust Cap Plug Kit (Vehicle & Plow) Set of (2)	MSC05081
68	Weather Plug for Light & Control Harness Kit (Vehicle & Plow)	MSC04581
70	Control Harness Mounting Bracket	MSC03813-03
71	Power/Ground Cable Mounting Bracket Kit w/Hardware	MSC09097
72	Rubber Split Grommet, 1-1/8"	MSC03761
73	Headlight Adapter Kit	Various
74	SmartHitch2 Toggle Switch Kit (Includes Switch & Jumpers)	MSC04744
74A	Includes: (1) Switch, SmartHitch2 Toggle	MSC01889
	(1) Wiring Harness, SmartHitch2 (Orange)	MSC04672
	(1) Wiring Harness, SmartHitch2 (Black)	MSC09886
	(1) Wiring Harness w/Diode, SmartHitch2 (White)	MSC09887
	(1) Switch Boot, SmartHitch2	MSC04238
75	Rubber Grommet - for light and control harness in coupler tower	MSC03456
76	Headlight Mounting Fastener Kit	HDW11114
76A	Includes: (2) Hex Head Cap Screw, 3/8" - 16 X 1" Washer Head Spinlock GR5 YZN	
76B	(2) Washer, 3/8" Flat YZN	
76C	(2) Nut, 3/8" - 16, Nylon Locking YZN	
76D	(8) Hex Head Cap Screw, 1/4" - 20 X 3/4"	
76E	(8) Washer, 1/4" Split Lock YZN	
76F	(8) Washer, 1/4" Flat YZN	
77	Headlight Rocker Switch	MSC04747
78	Relay, 12V	MSC04294
79	Light Bar, End Cap	MSC09058
80	Relay Repair Kit	MSC08993
81	Fuse Holder Repair Kit	MSC01322
82	Headlight Mounting Bracket, Left, SmartLight2	MSC11109-03
83	Headlight Mounting Bracket, Right, SmartLight2	MSC11110-03
84	Headlight, Left, SmartLight3	MSC16201
85	Headlight, Right, SmartLight3	MSC16202

BOLTS		
86	Hex Head Cap Screw, 3/8" - 16 X 1-1/2" GR5 YZN (Center Hinge Pin to Center Section)	HDW01719
87	Hex Head Cap Screw, 3/8" - 16 X 1-1/4" GR5 YZN (Light Bar Assembly)	HDW01771
88	Hex Head Cap Screw, 3/8" - 16 X 2-1/4" GR5 YZN (SmartHitch Torsion Spring)	HDW05521
89	Hex Head Cap Screw, 3/8" - 16 X 3-1/4" GR5 YZN (Manifold to Coupler)	HDW05573
90	Hex Head Cap Screw, 3/8" - 16 X 3-3/4" Washer HD Spinlock GR5 YZN (Pump to Coupler)	HDW05602
91	Hex Head Cap Screw, 5/16" - 18 X 1" GR5 YZN (Blade Guide to Blade)	HDW01713
92	Hex Head Cap Screw, 1/2" - 13 X 1-1/2" GR5 YZN	HDW01728
93	Eye Bolt Kit, 1/2" X 5-1/2" (To Hole Center), YZN (Trip Spring) w/HDW	HDW01744
	Includes: (2) Eye Bolt, 1/2" X 5-1/4" (To Hole Center), YZN	
	(2) Washer, 1/2" Flat YZN	
	(2) Push Nut Retainer, 3/8" YZN	
94	Thumb Screw Kit	MSC05077
96	Hex Head Cap Screw, 1/2" - 13 X 5-1/2" GR5 YZN	HDW05528
99	Hex Head Cap Screw, 1/2" - 13 X 3-1/2" GR5 YZN (Angle Cylinders)	HDW01779

PINS, NUTS, WASHERS, & OTHER HARDWARE		
99	Coupler Pivot Pin, Kit	MSC09586
	Includes: (1) Pivot Pin 3/4" X 2" YZN	
	(1) Washer, 3/4" YZN	
	(1) Cotter Pin, 3/16" X 2-1/2" YZN	
100	Coupler Spring Pin Kit	MSC09587
	Includes: (1) Coupler Spring Pin	
	(1) 1/4" Stop Pin YZN	
	(1) Nylon Washer, 1/4"	
101	Coupler Spring Pin Release Kit	MSC04676
	Includes: (1) Coupler Spring Pin Release Handle (left or right)	
	(1) Coupler Spring Release Nylon Washer	
	(1) Nut, 3/8" Locking YZN	
	(2) Coupler Spring Pin Release Springs	
	(1) Shoulder Bolt w/Flange, 3/8" - 16 YZN	
103	Spring, SmartHitch Torsion Set of (2)	MSC05076
105	Pin Kit Lift Cylinder	MSC05674
108	Washer, Split Lock, 3/8" YZN	HDW01718
112	Nut, Self-Locking 3/8" - 16 YZN (Lightbar Assembly & Torsion Springs)	HDW01720
114	Nut, Nylon Locking 1/2" - 13 YZN (Angle Cylinders)	HDW01748
116	Nut, Nylon Locking 5/16" - 18 YZN (Blade Guides)	HDW01714
120	Latch Kit	MSC04687
	Includes: (1) Latch	
	(1) Hex Head Cap Screw, 1/4" - 20 X 3/4" GR5 YZN	
	(1) Nut, Nylon Locking 1/4" - 20 YZN	

CONTROLLERS		
221	Joystick Control, V-Blade	MSC03809
221A	Switch (Joystick, On/Off)	MSC04086
221B	Switch (Joystick, Raise/Lower) V-Blade	MSC04087
222	SmartTouch2, Hand Held Control, V-Blade	MSC09601
222A	Handle (SmartTouch2)	MSC09613
222B	Housing (SmartTouch2) V-Blade	MSC09614
222C	Coil (SmartTouch2)	MSC09615
222D	Control Pad (SmartTouch2) V-Blade	MSC09616
222E	Circuit Board (SmartTouch2) V-Blade	MSC09618
222F	On/Off Switch (SmartTouch2)	MSC09916



BOSS Products reserves the right under its continuous product improvement policy to change construction and furnish equipment when so altered without reference to illustrations or specifications used herein.

Patent: www.ttcopats.com