



SNOWFLOW

VBX3000 SPREADER ASSEMBLY - VBS19300B

PARTS EXPLOSION

2020 - 2021



SPREADER COMPONENTS

1A	Mounting Bracket	VBS19373
1B	Includes: (1) Top Bumper (5) Price Bumper Kit	VBS19373
2	Top Screen and Hardware	VBS19415
3	Includes: (1) Top Screen	VBS19386-03
4	Top Hopper Arch and Hardware	VBS19429
5	Side Hopper Hook and Hardware	VBS19431
6	Includes: (1) Side Hopper Hook Screws	VBS19393
7	Self-Adhesive Rubber Feet	VBS19404
8	Drive Motor and Motor Harness	VBS19355

VBS19355 - SPINNER ASSEMBLY COMPONENTS

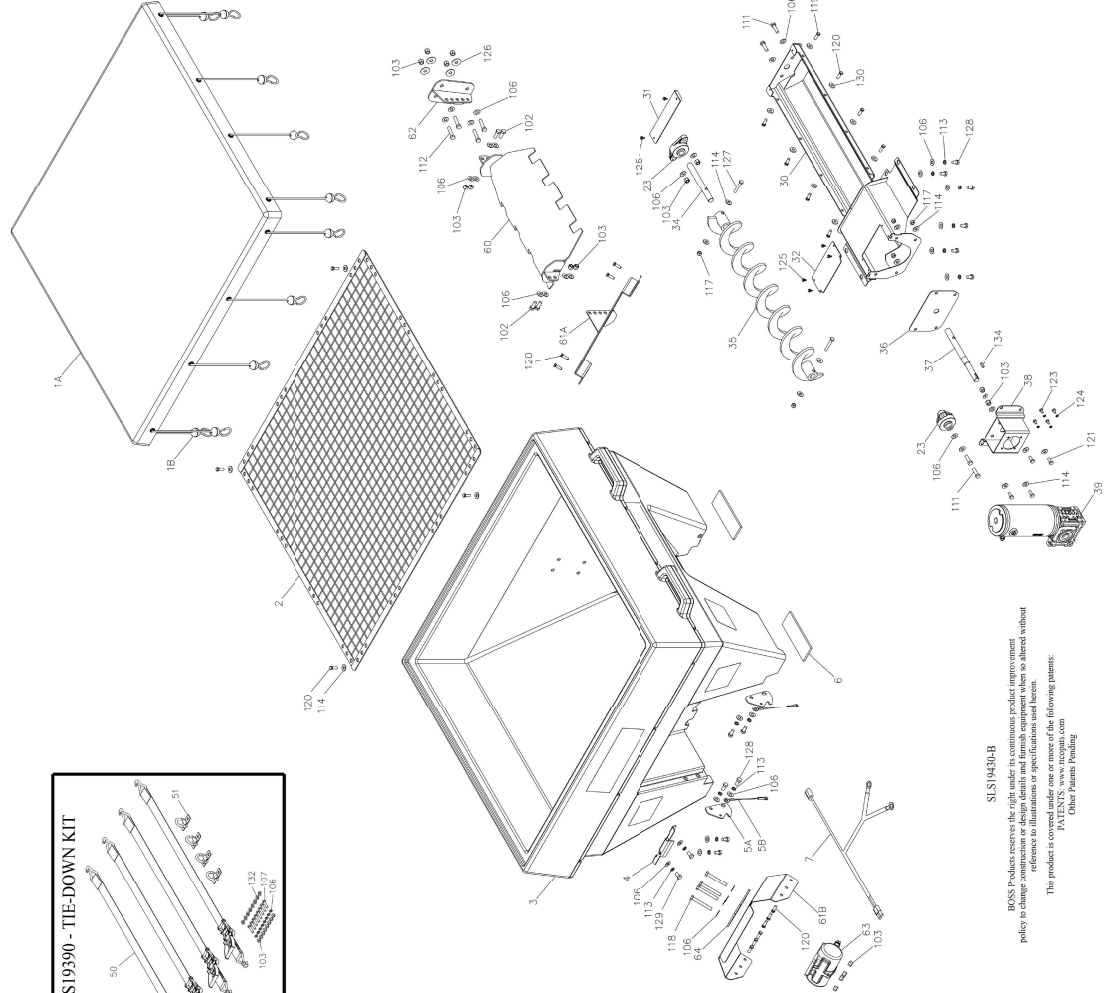
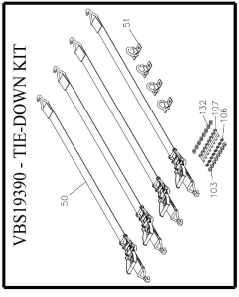
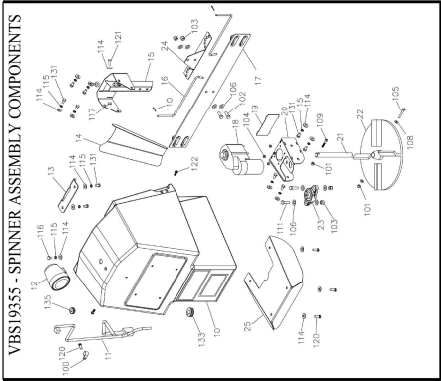
10	Spinner Housing	VBS19370
11	Includes: (1) Motor Harness	VBS19370
12	5" W. Hinged Light and Hardware	VBS19374
13	Includes: (1) Hinged Light	VBS19374
14	Clear and Deflector Mount	VBS19384
15	Includes: (1) Spinner Housing Catch	VBS19384
16	Deflector Bracket and Hardware	VBS19385
17	Includes: (1) Deflector Bracket	VBS19385
18	Spinner Motor Cover (Plastic)	VBS19386
19	Includes: (1) Spinner Motor Cover	VBS19386
20	Spinner Motor Mount	VBS19387
21	Includes: (1) Spinner Motor Mount	VBS19387
22	Spinner Cover	VBS19388
23	Includes: (1) Spinner Cover	VBS19388
24	Deflector Hook Plate	VBS19445-01
25	Spinner Cover	VBS19445-01

VBS19310 - AUGER DRIVE ASSEMBLY COMPONENTS

30	Rough Weldment	VBS19420
31	Includes: (1) Rear Cover	VBS19420
32	Includes: (1) Auger Cover	VBS19391
33	Includes: (1) Auger Cover	VBS19391
34	Auger and Hardware	VBS19446
35	Includes: (1) Shaftless Auger Weldment, 4" OD X 4' Pitch	VBS19446
36	Includes: (1) Shaftless Auger Weldment, 4" OD X 4' Pitch	VBS19446
37	Star Feed Motor	VBS19350
38	Includes: (1) Star Feed Motor	VBS19350
39	Geometric Right Angle and Hardware	VBS19439
40	Includes: (1) Geometric	VBS19439

VBS19390 - TIE-DOWN KIT COMPONENTS

50	Ratchet Strap (4)	VBS19378
51	Includes: (1) Ratchet Strap	VBS19378
52	Includes: (1) Ratchet Strap	VBS19378
53	Includes: (1) Ratchet Strap	VBS19378
54	Includes: (1) Ratchet Strap	VBS19378
55	Includes: (1) Ratchet Strap	VBS19378
56	Includes: (1) Ratchet Strap	VBS19378
57	Includes: (1) Ratchet Strap	VBS19378
58	Includes: (1) Ratchet Strap	VBS19378
59	Includes: (1) Ratchet Strap	VBS19378
60	Includes: (1) Ratchet Strap	VBS19378



INVERTED Y & VIBRATOR COMPONENTS

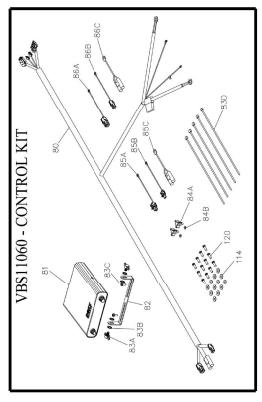
61	Inverted Y Vibrator Support Kit	VBS19356-03
62	Includes: (1) Inverted Y Front Bracket	VBS19356-03
63	Includes: (1) Inverted Y Rear Bracket	VBS19356-03
64	Includes: (1) Spinner Housing Catch	VBS19384
65	Includes: (1) Spinner Housing Catch	VBS19384
66	Inverted Y Back Bracket	VBS19366-03
67	Includes: (1) Inverted Y Back Bracket	VBS19366-03
68	Vibrator Backer Plate	VBS19256-03

VBS11060 - SPREADER WIRING & MOTOR CONTROL

80	Harness - Vehicle Side	MSC11093
81	Motor Control Bracket	MSC10670
82	Includes: (1) Motor Control Bracket	MSC10670
83	Fastener Kit, Control	VBS19450
84	Includes: (1) Star Washer	VBS19450
85	Includes: (1) Star Washer	VBS19450
86	Includes: (1) Star Washer	VBS19450
87	Includes: (1) Star Washer	VBS19450
88	Includes: (1) Star Washer	VBS19450
89	Includes: (1) Star Washer	VBS19450
90	Includes: (1) Star Washer	VBS19450
91	Includes: (1) Star Washer	VBS19450
92	Includes: (1) Star Washer	VBS19450
93	Includes: (1) Star Washer	VBS19450
94	Includes: (1) Star Washer	VBS19450
95	Includes: (1) Star Washer	VBS19450
96	Includes: (1) Star Washer	VBS19450
97	Includes: (1) Star Washer	VBS19450
98	Includes: (1) Star Washer	VBS19450
99	Includes: (1) Star Washer	VBS19450
100	Includes: (1) Star Washer	VBS19450

HARDWARE

101	Wire Clamps	HW06581
102	Includes: (1) Wire Clamp	HW06581
103	Includes: (1) Wire Clamp	HW06581
104	Includes: (1) Wire Clamp	HW06581
105	Includes: (1) Wire Clamp	HW06581
106	Includes: (1) Wire Clamp	HW06581
107	Includes: (1) Wire Clamp	HW06581
108	Includes: (1) Wire Clamp	HW06581
109	Includes: (1) Wire Clamp	HW06581
110	Includes: (1) Wire Clamp	HW06581
111	Includes: (1) Wire Clamp	HW06581
112	Includes: (1) Wire Clamp	HW06581
113	Includes: (1) Wire Clamp	HW06581
114	Includes: (1) Wire Clamp	HW06581
115	Includes: (1) Wire Clamp	HW06581
116	Includes: (1) Wire Clamp	HW06581
117	Includes: (1) Wire Clamp	HW06581
118	Includes: (1) Wire Clamp	HW06581
119	Includes: (1) Wire Clamp	HW06581
120	Includes: (1) Wire Clamp	HW06581
121	Includes: (1) Wire Clamp	HW06581
122	Includes: (1) Wire Clamp	HW06581
123	Includes: (1) Wire Clamp	HW06581
124	Includes: (1) Wire Clamp	HW06581
125	Includes: (1) Wire Clamp	HW06581
126	Includes: (1) Wire Clamp	HW06581
127	Includes: (1) Wire Clamp	HW06581
128	Includes: (1) Wire Clamp	HW06581
129	Includes: (1) Wire Clamp	HW06581
130	Includes: (1) Wire Clamp	HW06581
131	Includes: (1) Wire Clamp	HW06581
132	Includes: (1) Wire Clamp	HW06581
133	Includes: (1) Wire Clamp	HW06581
134	Includes: (1) Wire Clamp	HW06581
135	Includes: (1) Wire Clamp	HW06581



SISI9430-B
 BOSS Products reserves the right to make its continuing product improvement policy to change, discontinue or design details and furnish equipment when so altered without reference to illustrations or specifications used herein.
 This product is covered under one or more of the following patents:
 PATENT NO. 7,812,000
 Other Patent Pending.