

BOSS PRODUCTS
A Division of Northern Star Industries, Inc.
P.O. Box 787 Iron Mountain MI 49801-0787
www.bosspow.com

SUPER-DUTY XT SHOCK ABSORBER KIT INSTALLATION INSTRUCTIONS

**KIT NUMBER:
STB05659**

BOSS Products / Northern Star Industries, Inc. reserves the right under its continuous product improvement policy to change construction or design details and furnish equipment when so altered without reference to illustrations or specifications used herein.

DRIVEN TO BE THE BEST

MSC05660-0

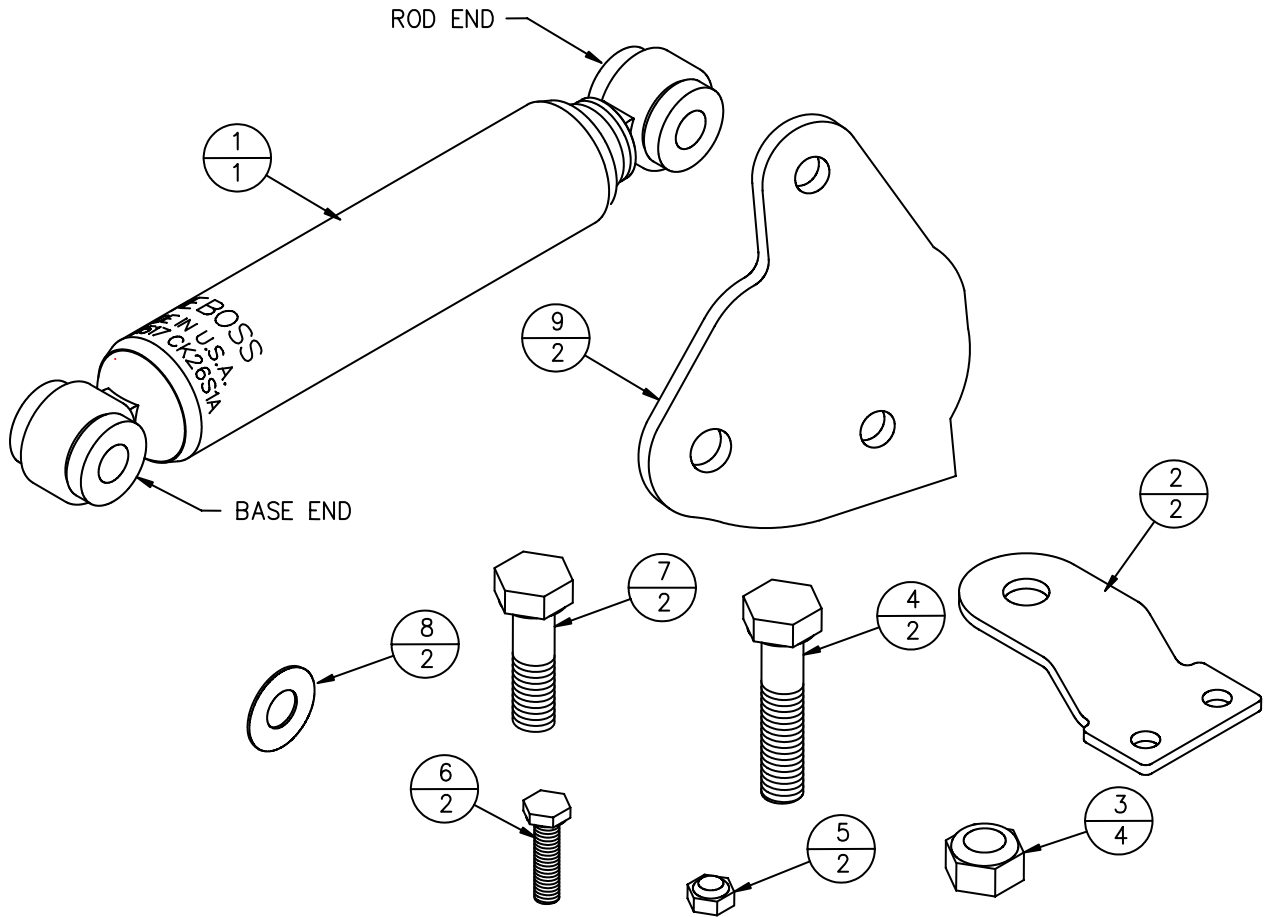


Figure 1. XT Shock Absorber Kit and Fastener Kit.

G10458

ITEM #	QUANTITY	PART #	DESCRIPTION
1	1	MSC01517	SHOCK ABSORBER
2	2	STB03014	BLADE SHOCK MOUNT TOP
3	4	HDW01709	NUT, 5/8"-11 OVAL TOP LOCK
4	2	HDW05608	HHCS, 5/8"-11 x 3"
5	2	HDW01720	NUT, 3/8"-16 NYLON LOCK
6	2	HDW01719	HHCS, 3/8"-16 x 1 1/2"
7	2	HDW01731	HHCS, 5/8"-11 x 2"
8	2	HDW01726	WASHER FLAT 5/8"
9	2	STB10539	BLADE SHOCK BOTTOM MOUNT

Note: Shock Absorber Kit (STB05659) will fit all BOSS Straight Blade Snowplows excluding the 10' and Sport Duty plows.

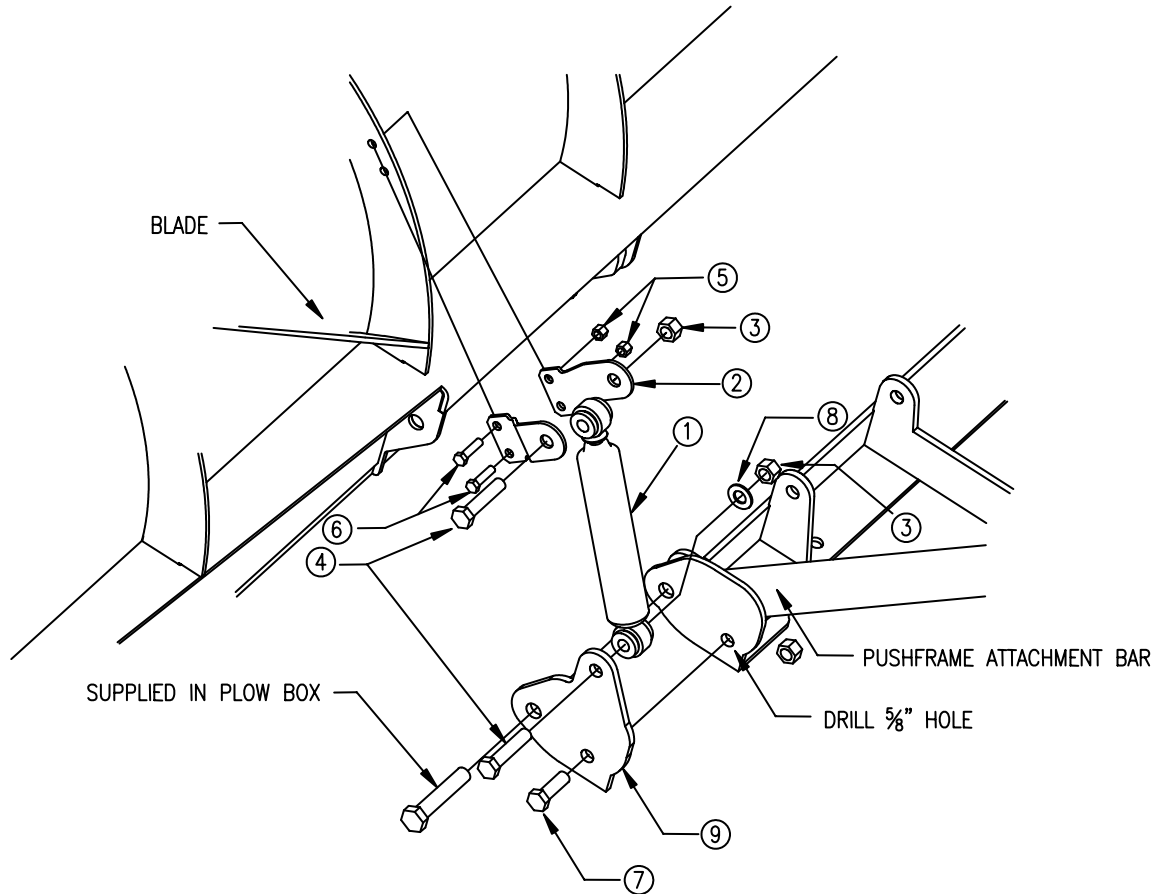


Figure 2. Shock Absorber to Pushframe Attachment Bar

G10459

- 1) Position Bottom Shock Mount (9) on Pushframe Attachment Bar as shown.
- 2) Mark and drill a 5/8" hole in Pushframe Attachment Bar.
- 3) Insert 5/8"-11 X 2" Hex Head Cap Screw (7) through the hole in Bottom Shock Mount (9) and the drilled hole in the Pushframe Attachment Bar. Install 5/8" Oval Top Lock Nut (3) on Hex Head Cap Screw (7) Figure 2. Leave hardware finger tight.
- 4) Replace blade mounting hardware in Pushframe Attachment Bar and tighten all hardware assembled to this point.

Note: It is helpful to clamp Bottom Shock Mount (9) in the desired location before tightening.
- 5) Repeat steps 1 - 4 for the passenger side.
- 6) Fasten the base end of Shock Absorber (1) to the top hole of the Bottom Shock Mount (9) using 5/8"-11 X 3" Hex Head Cap Screw (4), 5/8" Flat Washer (8), and 5/8" Oval Top Lock Nut (3). Leave hardware finger tight. See Figure 2.

Note: The base end of Shock Absorber (1) is the end that has THE BOSS logo and part number engraved on.

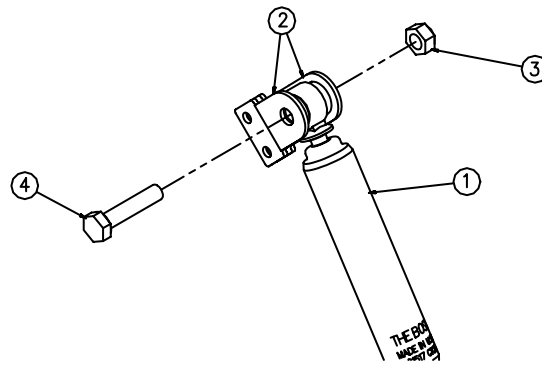


Figure 3. Install Shock Mounts to Shock Absorber.

G10062

- 7) Install Blade Shock Mounts (2) to the rod end of Shock Absorber (1) using 5/8"-11 x 3" Hex Head Cap Screw (4) and 5/8"-11 Oval Top Lock Nut (3). See Figure 3. Leave finger tight.
- 8) Locate the two holes in the rib of your Straight Blade. Align the small holes in Blade Shock Mounts (2) with the holes in the rib of the snowplow as shown in Figure 4. You must have one Blade Shock Mount (2) on each side of the rib. Attach with two 3/8"-16 x 1 1/2" Hex Head Cap Screws (6) and two 3/8"-16 Nylon Lock Nuts (5). Leave hardware finger tight.

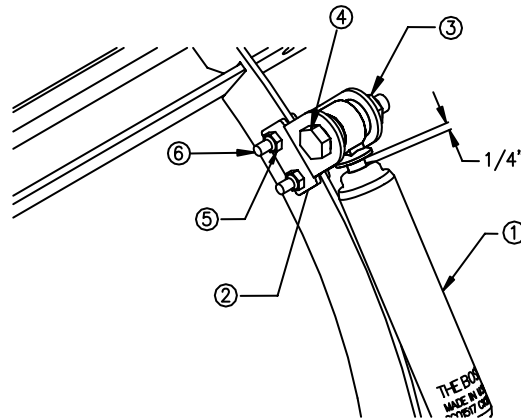


Figure 4. Final Setup and Tightening of the Hardware.

G10460

- 9) Before tightening the hardware, it is advised that you extend Shock Absorber (1) to reveal approximately 1/4" of the rod as shown in figure 4. This will prevent Shock Absorber (1) from bottoming out when the blade rotates back after tripping. Keeping the shock extended, fully tighten 3/8"-16X1-1/2" Hex Head Cap Screws (6) and 3/8"-16 Nylon Lock Nuts (5).
- 10) Tighten 5/8"-11X3" Hex Head Cap Screws (4) and 5/8"-11 Oval Top Lock Nuts (3) holding both ends of Shock Absorber (1) in place. Do not over-tighten these bolts as it may cause damage to Shock Absorber (1) or to the components of the plow. 5/8"-11X3" Hex Head Cap Screws (4) should have no more than 1/2" of thread showing beyond the nut after you have tightened them.
- 11) Repeat steps 7 – 10 for passenger side of blade.

Note: Shock Absorber (1) and Shock Mounts (2) with mounting hardware for other side of blade are included in plow box.