

Straight Blade Joystick Controller STB03191 Parts Breakdown

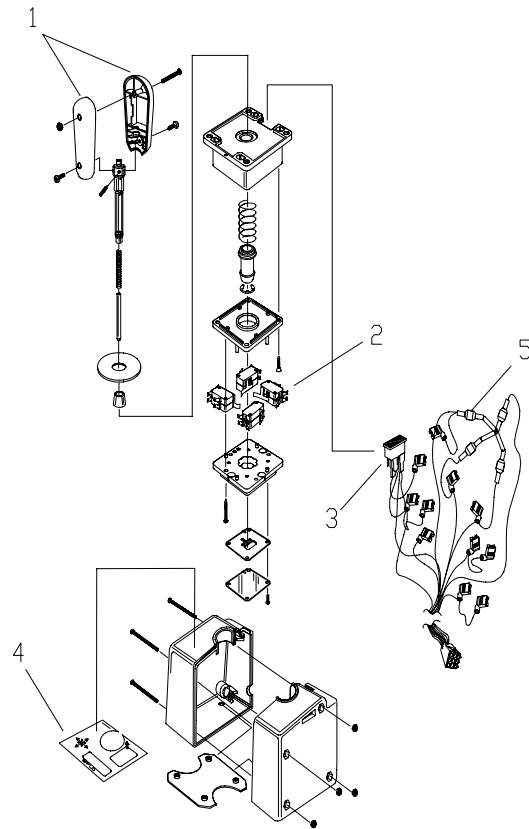


Figure 1. Straight Blade Joystick Control Parts Breakdown

G10054

Reference Number	Part Number	Description
1	MSC04717	Handles, Joystick Straight Blade
2	MSC04267	Switch, Joystick Micro
3	MSC04086	Switch, Joystick On/Off
4	MSC04210	Label, Joystick Straight Blade
5	MSC04085	Diode Pack, Replacement