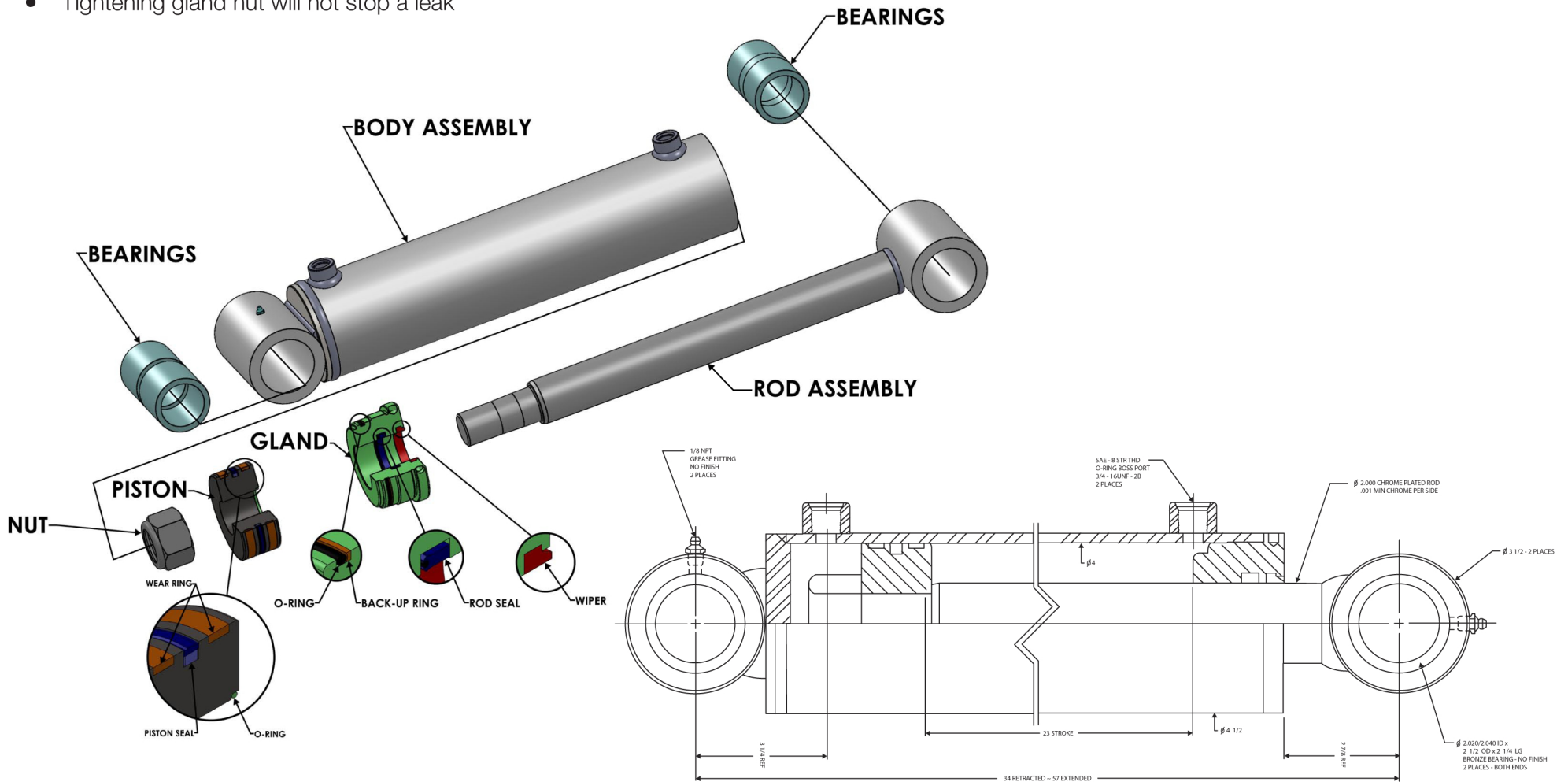


# VHD07208

## Angle Cylinder, 11'3" V

- Maximum operating pressure 3000 PSI
- 23" Stroke
- Dual acting cylinder (work is performed when the rod extends and retracts)
- Tightening gland nut will not stop a leak



**Service Parts:  
Seal Kit - VHD07220**