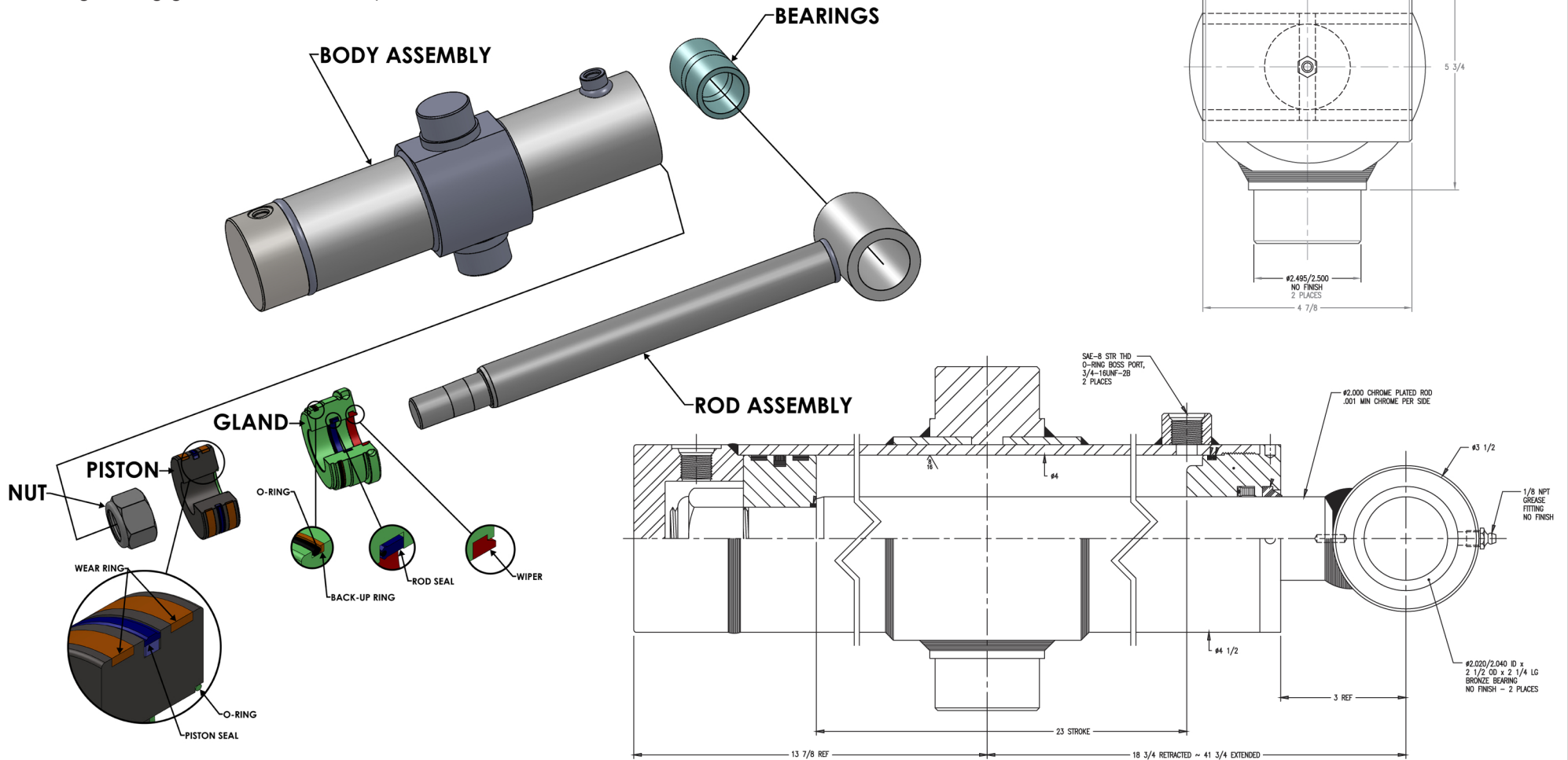


# VHD07212

## Lift Cylinder, 11'3" V

- Maximum operating pressure 3000 PSI
- 23" stroke, 2" Rod
- Pull type cylinder (work is performed as rod retracts into the tube)
- Resting position - cylinder extended
- Tightening gland nut will not stop a leak



**Service Parts:**  
**Seal Kit - VHD07220**